

**Free Bonus!**  
 30-Minute Video  
 Ford Training  
 Course 13001, Vol 68 S7  
 "How to Read Wiring  
 Diagrams"  
 Included!

# 3 7 9 Colorized Mustang Wiring & Vacuum Diagrams

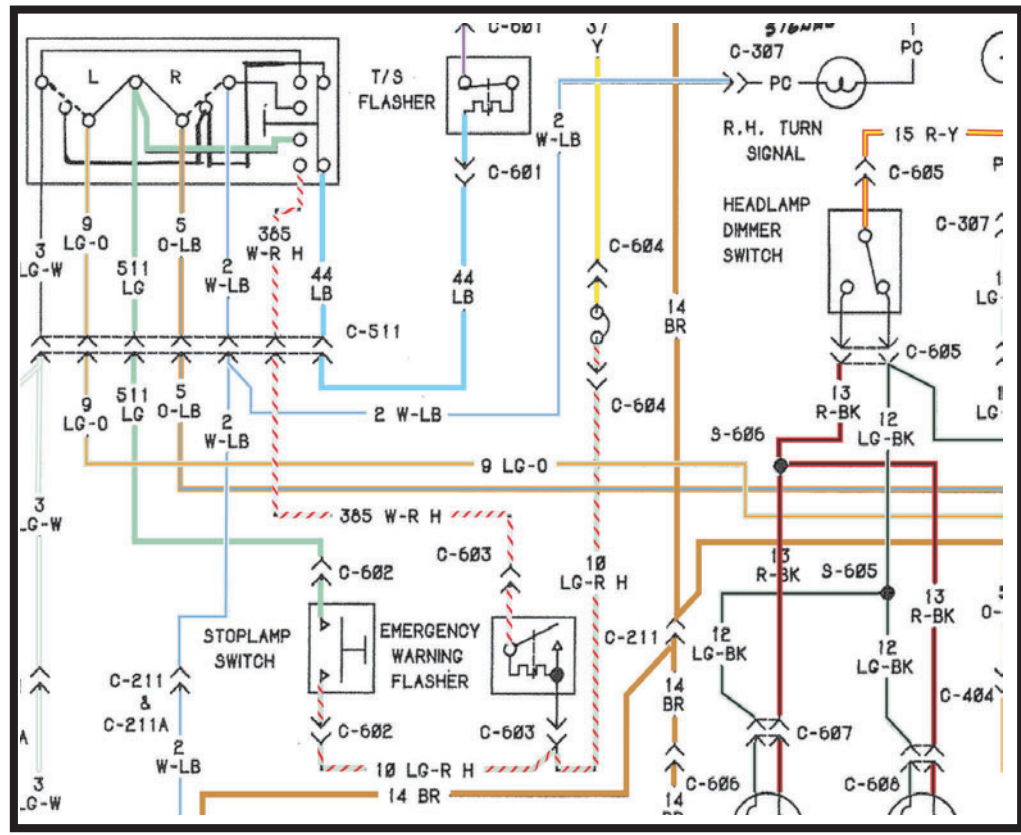
**A consolidated collection of original Ford electrical & vacuum diagrams**

- This product includes**
- Colorized wiring diagrams
  - Vacuum diagrams
  - Vol. III 1973 Car Shop Manual, Electrical
  - *How to Read Wiring Diagrams* training course
- ...and much more!!



5236

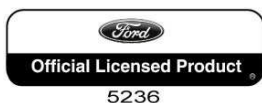
All Rights Reserved. Copyright 2008  
 Forel Publishing Company, LLC



Example of colorized diagrams

All Rights Reserved. No part of this book may be used or reproduced in any manner whatsoever without written permission of Forel Publishing Company, LLC. For information write to Forel Publishing Company, LLC, 3999 Peregrine Ridge Ct., Woodbridge, VA 22192

1973 Colorized Mustang Wiring and Vacuum Diagrams  
(Extracted from Mark Corp 365-163, Mark Corp 365-126-73C, and FD-7943-G)



EAN: 978-1-60371-032-9

ISBN: 1-60371-032-9

**Forel Publishing Company, LLC**  
**3999 Peregrine Ridge Ct.**  
**Woodbridge, VA 22192**

*Distributed by MustangShopManual.com*



This publication contains material that is reproduced and distributed under a license from Ford Motor Company. No further reproduction or distribution of the Ford Motor Company material is allowed without the express written permission of Ford Motor Company.

---

## Note from the Editor

This product was compiled using several original Ford Motor Company publications. In some cases, there are slight differences between publications, so it is important to compare between diagrams, schematics, or illustrations. The contents of this product were extracted from: *1973 Wiring and Vacuum Diagrams* (Mark Corp 365-126-73C), *1973 Car Shop Manual, Electrical Volume III* (Mark Corp 365-163), and *How to Read Wiring Diagrams* (FD-7943-G, January 1968).

---

## Disclaimer

Although every effort was made to ensure the accuracy of this book, no representations or warranties of any kind are made concerning the accuracy, completeness or suitability of the information, either expressed or implied. As a result, the information contained within this book should be used as general information only. The author and Forel Publishing Company, LLC shall have neither liability nor responsibility to any person or entity with respect to any loss or damage caused, or alleged to be caused, directly or indirectly by the information contained in this book. Further, the publisher and author are not engaged in rendering legal or other professional services. If legal, mechanical, electrical, or other expert assistance is required, the services of a competent professional should be sought.

---



# ATTENTION



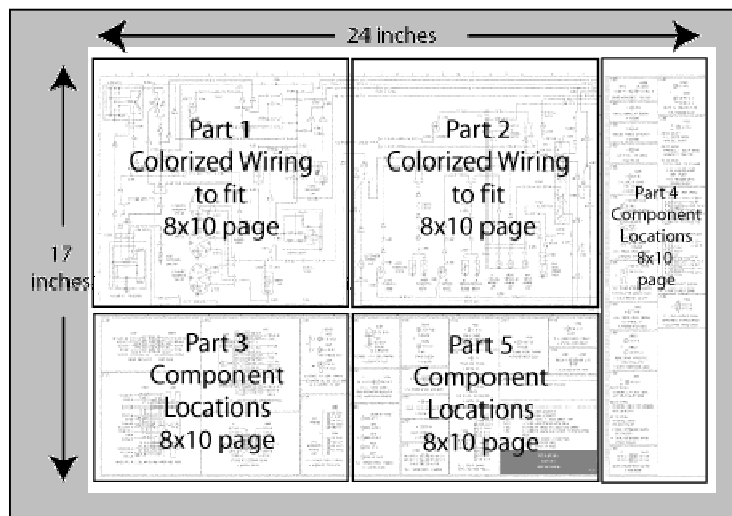
## Please Read This



**Page Layout of Wiring Diagrams:** The original 1973 Ford Motor Company wiring and vacuum diagrams were produced in a very large 17 x 24 inch format. As a result of the large format size, pages cannot be printed on a standard home printer. To correct this problem and to make the pages easier to read, each large page has been broken into smaller 8 ½ x 11 inch pages. The illustration below depicts the original size of the diagrams and how individual pages were created.

As you scroll through the manual, the first page will be the original page in the 17x24 format. In this way, you can see the entire page as Ford printed it. The subsequent pages will be the smaller 8 ½ x 11 page extracts with the wiring colorized. Although the 17x24 pages can be printed onto standard paper, the print is so small that it makes it virtually unreadable.

Please use the illustration to help you navigate through the manual.



**Possible Color Code Errors:** It is important to note that there may be errors in the diagrams, even though they are original Ford publications. Below are two examples of possible errors from 1971 manuals where the color code on the page diagram did not match the master Car Standard Wire Code Chart. If your vehicle has a color coded wire that does not match a diagram you should consult the other diagrams contained in the manual for a possible match. Although no errors were identified for the 1973 manuals, it is worth highlighting the example below.

### *Example of possible errors*

|     |                         |
|-----|-------------------------|
| 37  | YELLOW                  |
| 38  | BLACK                   |
| 54  | LT. GREEN-YELLOW STRIPE |
| 158 | BLACK-PINK HASH STRIPE  |

In the wiring diagrams from the Ford publication Form 7795P-71, the Key Warning Buzzer Wiring Color Code shows:

**38 Black**

However, the Car Standard Wire Color Code Chart lists:

**38 – Black-Orange Stripe**

|     |                         |
|-----|-------------------------|
| 37  | YELLOW                  |
| 38  | BLACK                   |
| 54  | LT. GREEN-YELLOW STRIPE |
| 158 | BLACK-PINK HASH STRIPE  |

In the wiring diagrams from the Ford publication Form 7795P-71, the Key Warning Buzzer Wiring Color Code shows:

**158 Black-Pink HASH STRIPE**

However, the Car Standard Wire Color Code Chart lists:

**158 – Black- Pink HASH**

The color coded wiring diagrams are provided for illustration purposes only. Only the wire number should be used for the identification of the wire itself. The color coding of the wires in the product may not match the actual colors of the wires in the vehicle. In some cases, the colors have been altered to provide a visual contrast (i.e. the color white has been shaded to make it more visible). As stated in the paragraph above, there are some variation and/or differences between the original Ford wiring diagrams. If your vehicle has a color coded wire that does not match a diagram you should consult the other diagrams contained in the manual for a possible match.

**Disclaimer:** Although every effort was made to ensure the accuracy of this book, no representations or warranties of any kind are made concerning the accuracy, completeness or suitability of the information, either expressed or implied. As a result, the information contained within this book should be used as general information only. The author and Forel Publishing Company, LLC shall have neither liability nor responsibility to any person or entity with respect to any loss or damage caused, or alleged to be caused, directly or indirectly by the information contained in this book. Further, the publisher and author are not engaged in rendering legal or other professional services. If legal, mechanical, electrical, or other expert assistance is required, the services of a competent professional should be sought.

Source Document  
Ford Publication 365-163

**COURSE 0333-001**

# 1973 **WIRING and VACUUM DIAGRAMS**

Mark Corp  
Aug 72 365-163



**Ford Marketing Corporation**  
Ford Customer Service Division  
Service Technical Communications Department



## FOREWORD

This book contains wiring and vacuum diagrams for all Ford and Lincoln-Mercury car lines and all Ford trucks.

Both wiring and vacuum diagram replacement sheets will be released as required to keep the book current.

All vacuum systems are contained in a separate section.

This book is divided by vehicles. Refer to the applicable section as follows:

- Pinto
- Capri
- Maverick
- Comet
- Mustang
- Cougar
- Torino
- Montego
- Ford
- Mercury-Meteor
- Thunderbird
- Mark IV
- Lincoln
- Bronco
- Courier
- Econoline
- P-Series
- F-100-350 Series
- B and F-500-750 Series
- C-Series
- W-Series  
(with Standard Fuse Panel)
- W-Series  
(with RPO Circuit Breaker Panel)
- L-Series — Line Haul
- L-Series — City Delivery



**Ford Marketing Corporation**  
Ford Customer Service Division  
Service Technical Communications Department

The illustrations contained in this book were in effect at the time the book was approved for printing. Ford Motor Companies, whose policy is one of continuous improvement, reserves the right to discontinue models at any time, or to change specifications or design, without notice and without incurring obligation.

## HOW TO USE THE WIRING DIAGRAMS

Each electrical circuit is illustrated in a clear and easy to follow style.

There are 7 steps that should be followed to use this diagram to diagnose electrical problems.

- Verify the complaint
- Refer to the Index for system location
- Locate inoperative system on schematic
- Identify other systems on the circuit
- Isolate the problem area
- Correct the problem
- Operate the corrected system

### VERIFY THE COMPLAINT

To diagnose a customer complaint "Engine Diesels" the first thing we should do is verify the complaint.

If the engine does diesel, we'd check the operation of the throttle solenoid.

If the solenoid is not operating, refer to the INDEX on page 1 of the vehicle schematic.

### REFER TO THE INDEX

An INDEX is provided on page 1 to locate the inoperative components.

See Emission Control Solenoid on the INDEX. The INDEX lists the location of the part on the drawing.

The drawing is set up like a road map. For example: the Pinto Emission Control Solenoid (throttle) is located at D-14. To locate D-14 on the schematic, find the number 14 at the top of the illustration.

Now, find the letter D on the side of the illustration. Follow the number and the letter until they intersert. The part will be within an inch or two of the intersection.

### LOCATE INOPERATIVE SYSTEM

Generally, the power supply for all components on this drawing comes from the top of the page and over to the battery at the left.

The ground for each component is always toward the bottom of the drawing.

There are symbols used on this drawing that are explained as follows:

- Ground symbols are shown in Figure 1. A ground wire connected away from the component is identified by a code G1 or G2, etc. The location of the remote ground is listed in the GROUND CODES chart and the bottom of the page.



Fig. 1 — Ground Symbols

- Wire color code is shown in Figure 2. Wiring Color Codes are listed on the first page of each car line. The Standard Wiring Color Codes are listed behind these instructions, both in sequence by circuit number, and also categorized by base color of wire.

640 R-Y H

Fig. 2 — Wire Color Code

If a vehicle specific wire color in a connector does not match the diagram shown, it can usually be identified by comparing the other colors shown at the wire connectors. Specific wire color deviations in the manufacturing of a wire harness are usually for a short duration.

- Harness number is shown in Figure 3. The 5 or 6 digit number near the wire indicates the wire harness basic part number.

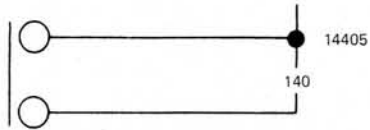


Fig. 3 – Harness Number

- Wire connector identification code is shown in Figure 4. The key for the connector codes is located at the bottom of the wiring diagram.

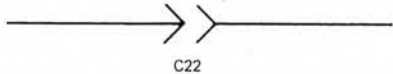


Fig. 4 – Wire Connector Code

- Male connector symbol is illustrated in Figure 5. The symbol used for the diagram and chart is shown.

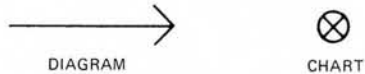


Fig. 5 – Male Connector Codes

- Female connector symbol is shown in Figure 6.

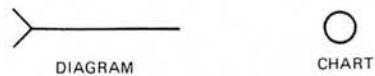


Fig. 6 – Female Connector Codes

- Splice is shown in Figure 7. A splice is a common point where two wires are joined together. Location of splice is at bottom of schematic page.



Fig. 7 – Splices

- Heavy lines for the wires indicate a direct to battery feed.
- Heavy dashed lines indicate an ignition switch accessory feed.

### IDENTIFY OTHER SYSTEMS ON CIRCUIT

Now that the emission control solenoid (throttle) system has been located on the diagram, we should note the other systems that use the same power supply.

At D-14 on the diagram, follow wire 640 to fuse F-6. Note that power to the seat belt warning system also comes from fuse F-6. To determine if the fuse is OK, try to activate the seat belt buzzer.

If the buzzer works, the problem is between F-6 and the solenoid.

If the buzzer doesn't work, the problem is either the fuse or the power feed to it.

### ISOLATE PROBLEM AREA

Now to trace an emission control solenoid problem such as between fuse F-6 and the solenoid, we can check for power at connector C-214. To identify the specific terminals at connector C-214, refer to the Wire Connector Code Chart at the bottom of the page.

The Connector Code Chart illustrates the connector C-214 (Fig. 8). It is a 2-wire connector black in color unless otherwise specified and located near the carburetor.

Check connector C-214 for power. If it is OK, the problem is the solenoid or its wiring.

If power is not available at connector C-214, the problem is between connectors C-214 and fuse F-6.

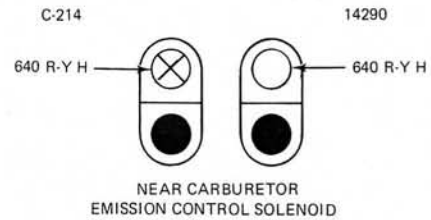


Fig. 8 – Connector C-214

### CORRECT THE PROBLEM

Use standard continuity tests for open circuits and short circuit tests to find the specific problem.

Repair or replace the electrical component that is malfunctioning.

### OPERATE CORRECTED SYSTEM

It is a good practice to operate the system after a repair has been made to see if it now works.

### BULB AND FUSE CHART

A bulb and fuse chart is included on the first page of each section for your convenience.

## CAR STANDARD WIRE COLOR CODE CHART

| CIRCUIT | DESCRIPTION                                                          | COLOR                  | CIRCUIT | DESCRIPTION                                                     | COLOR                  |
|---------|----------------------------------------------------------------------|------------------------|---------|-----------------------------------------------------------------|------------------------|
| 1       | HORN SWITCH CONTROL                                                  | DK BLUE BASE           | 63      | WINDSHIELD WIPER SW. TO WINDSHIELD WIPER MOTOR                  | RED BASE               |
| 2       | RH FRONT TURN SIGNAL LAMP                                            | WHITE-LT BLUE STRIPE   | 65      | WINDSHIELD WIPER SW. TO WINDSHIELD WIPER MOTOR                  | DR GREEN BASE          |
| 3       | LH FRONT TURN SIGNAL LAMP                                            | LT GREEN-WHITE STRIPE  | 66      | AIR SHIFT SWITCH TO INDICATOR LAMP                              | LT BLUE BASE           |
| 4       | ALTERNATOR REG. "S" TERM. TO ALTERNATOR "S" TERM.                    | WHITE-BLACK STRIPE     | 69      | COIL TERM. IGN. SW. TO FUEL SOLENOID                            | RED-PINK HASH          |
| 5       | RH REAR TURN SIGNAL LAMP                                             | ORANGE-LT BLUE STRIPE  | 73      | LOW AIR BUZZER TO LOW AIR BUZZER SWITCH                         | ORANGE-LT GREEN HASH   |
| 6       | HORN RELAY TO HORN                                                   | YELLOW-LT GREEN HASH   | 74      | RELAY "B" TERMINAL TO LAMP (WATER)                              | LT GREEN BASE          |
| 7       | SEAT SWITCH ARM TERM. TO RELAY FIELD TERM.                           | LT GREEN-YELLOW DOT    | 75      | STARTING MOTOR RELAY TO SERIES PARALLEL SW. (# 1 TERM)          | LT GREEN-PURPLE HASH   |
| 8       | TURN SIGNAL FLASHER FEED                                             | ORANGE-YELLOW STRIPE   | 80      | ENGINE COMPARTMENT LAMP FEED                                    | BLACK-ORANGE DOT       |
| 9       | LH REAR TURN SIGNAL LAMP                                             | LT GREEN-ORANGE STRIPE | 81      | EMISSION CONTROL VALVE TO SWITCH                                | BROWN-YELLOW DOT       |
| 10      | STOPLAMP SWITCH FEED                                                 | LT GREEN-RED HASH      | 83      | INTERLOCK MODULE TO CENTER BUCKLE SWITCH                        | DK BLUE-YELLOW DOT     |
| 11      | ELECTRONIC SWITCH TO IGNITION COIL NEG. TERMINAL                     | DK GREEN-YELLOW DOT    | 84      | DECK LID SOLENOID FEED                                          | PURPLE-YELLOW HASH     |
| 12      | HEADLAMP DIMMER SWITCH TO HIGH BEAMS                                 | LT GREEN-BLACK STRIPE  | 85      | SEAT BELT WARNING TIMER TO L.F. RETRACTOR SWITCH                | BROWN-LT BLUE DOT      |
| 13      | HEADLAMP DIMMER SWITCH TO LOW BEAMS                                  | RED-BLACK STRIPE       | 86      | SEAT BELT WARNING TIMER TO R.F. SEAT SENSOR                     | DK BLUE-WHITE DOT      |
| 14      | HEADLAMP SWITCH TO TAIL LAMPS AND SIDE MARKER LAMPS                  | BROWN BASE             | 87      | INTERLOCK MODULE TO CENTER SEAT SENSOR SWITCH                   | TAN-WHITE DOT          |
| 15      | HEADLAMP SWITCH TO HEADLAMP DIMMER SWITCH                            | RED-YELLOW STRIPE      | 88      | INSTRUMENT PANEL LAMP SWITCH FEED                               | BLACK-WHITE STRIPE     |
| 16      | IGNITION SWITCH TO IGNITION COIL "BATT." TERMINAL                    | RED-LT GREEN STRIPE    | 89      | GLOW PLUG TO GLOW PLUG SWITCH                                   | ORANGE-LT GREEN STRIPE |
| 17      | LOW OIL PRESSURE WARNING LAMP TO LOW OIL PRESS. SENDING UNIT         | WHITE BASE             | 102     | OVERDRIVE KICKDOWN SWITCH TO OVERDRIVE GOVERNOR                 | WHITE BASE             |
| 18      | SEAT SWITCH TO RELAY FIELD TERMINAL                                  | ORANGE-YELLOW DOT      | 103     | OVERDRIVE KICKDOWN SWITCH TO IGNITION COIL                      | WHITE-RED DOT          |
| 19      | INSTRUMENT PANEL LAMPS FEED                                          | LT BLUE-RED STRIPE     | 104     | OVERDRIVE KICKDOWN SWITCH TO OVERDRIVE SOLENOID                 | LT BLUE-ORANGE STRIPE  |
| 20      | DISTRIBUTOR ELECTRONIC CONTROL FEED                                  | WHITE-LT BLUE HASH     | 105     | OVERDRIVE KICKDOWN SWITCH TO OVERDRIVE RELAY                    | RED-YELLOW             |
| 21      | EMA CONTROL TO SPARK RETARD SWITCH                                   | DK BLUE-LT GREEN DOT   | 106     | OVERDRIVE SOLENOID TO OVERDRIVE RELAY                           | LT BLUE BASE           |
| 22      | BRAKE FEED                                                           | LT BLUE-BLACK STRIPE   | 111     | WARNING LAMP TO LIGHTS ON RELAY                                 | BLACK-YELLOW STRIPE    |
| 23      | ANTI-THEFT SYSTEM SWITCH FEED                                        | TAN-LT GREEN STRIPE    | 112     | WARNING LAMP RELAY FEED                                         | BLACK-YELLOW DOT       |
| 24      | ANTI-THEFT SWITCH ARM                                                | DK BLUE-ORANGE HASH    | 113     | STARTING MOTOR TO STARTING MOTOR RELAY                          | YELLOW-LT BLUE DOT     |
| 25      | ANTI-THEFT SWITCH DIS ARM                                            | DK GREEN-PURPLE STRIPE | 114     | FEED TO VACUUM DOOR LOCK SWITCH                                 | TAN-YELLOW HASH        |
| 26      | DECK LID SWITCH TO ANTI-THEFT MODULE                                 | WHITE-PURPLE DOT       | 115     | VACUUM DOOR LOCK SWITCH TO SOLENOID (LOCK)                      | LT GREEN BASE          |
| 27      | EMA CONTROL TO EGR SWITCH                                            | ORANGE-LT GREEN DOT    | 116     | VACUUM DOOR LOCK SWITCH TO SOLENOID (UNLOCK)                    | BROWN-ORANGE DOT       |
| 28      | WINDSHIELD WIPER SW. TO WINDSHIELD WIPER MOTOR                       | BLACK-PINK DOT         | 117     | DOOR LOCK MOTOR (LOCK)                                          | PINK-BLACK DOT         |
| 29      | FUEL GAGE TO FUEL GAGE SENDER                                        | YELLOW-WHITE STRIPE    | 118     | DOOR LOCK MOTOR (UNLOCK)                                        | PINK-ORANGE DOT        |
| 30      | CONSTANT VOLTAGE UNIT AND INDICATOR LAMPS FEED                       | BLACK-LT GREEN STRIPE  | 119     | DOOR LOCK SWITCH (LOCK)                                         | PINK-YELLOW DOT        |
| 31      | OIL PRESSURE INDICATOR TO OIL PRESSURE SENDING UNIT                  | WHITE-RED STRIPE       | 120     | DOOR LOCK SWITCH (UNLOCK)                                       | PINK-LT GREEN DOT      |
| 32      | STARTER CONTROL                                                      | RED-LT BLUE STRIPE     | 122     | TOP CONTROL SWITCH TO TOP CONT. MOTOR OR RELAY                  | YELLOW BASE            |
| 33      | STARTER CONTROL TO INTERLOCK MODULE                                  | WHITE-PINK DOT         | 123     | TOP CONTROL SWITCH TO TOP CONT. MOTOR OR RELAY                  | RED BASE               |
| 35      | ALTERNATOR REGULATOR "E" TERMINAL TO ALTERNATOR                      | ORANGE-LT BLUE STRIPE  | 125     | MAP LAMP SWITCH TO RH MAP LAMP                                  | BROWN-YELLOW STRIPE    |
| 36      | ALTERNATOR OUTPUT                                                    | YELLOW-WHITE DOT       | 126     | COURTESY LAMP SW. TO INSTR. PANEL COURTESY LAMP                 | BLACK-ORANGE DOT       |
| 37      | BATTERY TO LOAD                                                      | YELLOW BASE            | 127     | COURTESY LAMP SW. TO "C" PILLAR LAMPS                           | BLACK-LT BLUE DOT      |
| 38      | POWER SUPPLY TO BATTERY                                              | BLACK-ORANGE STRIPE    | 129     | GLOW PLUG SWITCH FEED                                           | LT GREEN BASE          |
| 39      | TEMP. GAGE TO TEMP. SENDING UNIT                                     | RED-WHITE STRIPE       | 131     | CIGAR LIGHTER LAMP FEED                                         | PURPLE-ORANGE STRIPE   |
| 40      | CIGAR LIGHTER FEED                                                   | LT BLUE-WHITE STRIPE   | 133     | RELAY TO MAP LAMP SWITCH                                        | TAN-RED HASH           |
| 41      | WARNING LAMP FEED                                                    | BLACK-LT BLUE HASH     | 137     | RADIO ANTENNA SWITCH FEED                                       | YELLOW-BLACK HASH      |
| 42      | SWITCH TO WARNING LAMP                                               | RED-WHITE DOT          | 138     | DOOR JAMB SWITCH TO LIGHTS ON RELAY                             | BROWN-LT BLUE STRIPE   |
| 43      | LOW AIR BUZZER FEED                                                  | ORANGE-LT BLUE HASH    | 140     | BACK UP LAMP                                                    | BLACK-PINK STRIPE      |
| 44      | TURN SIGNAL FLASHER TO TURN SIGNAL SWITCH                            | LT BLUE BASE           | 141     | TWO OR THREE SPEED AXLE SWITCH TO TWO OR THREE SPEED AXLE MOTOR | BLACK-PINK DOT         |
| 45      | HOT WATER TEMP. RELAY TO HOT WATER TEMP. SENDING UNIT                | YELLOW-RED STRIPE      | 142     | TWO OR THREE SPEED AXLE SWITCH FEED                             | DK GREEN-YELLOW HASH   |
| 48      | BLIND CIRCUIT TERM IN HARNESS CANNOT BE CHECKED FOR CONT (COLOR OPT) |                        | 143     | TWO OR THREE SPEED AXLE SWITCH TO TWO OR THREE SPEED AXLE MOTOR | RED BASE               |
| 51      | SEAT REG. CONTROL SWITCH FEED                                        | BLACK-WHITE DOT        | 144     | AMPLIFIER TO SERVO TRANSDUCER FEED                              | ORANGE-YELLOW HASH     |
| 53      | COURTESY LAMP SWITCH IN COURTESY LAMP                                | BLACK-LT BLUE STRIPE   | 145     | SERVO SOURCE VACUUM SOLENOID TO CONTROL TRANSISTOR              | GRAY-BLACK HASH        |
| 54      | INTERIOR LAMP SWITCH FEED                                            | LT GREEN-YELLOW STRIPE | 146     | SERVO VENT SOLENOID TO CONTROL TRANSISTOR                       | WHITE-PINK HASH        |
| 55      | CARGO LAMP SW. TO CARGO LAMP                                         | BLACK-PINK STRIPE      | 147     | AMPLIFIER FEEDBACK POTENTIOMETER FEED                           | PURPLE-LT BLUE HASH    |
| 56      | WINDSHIELD WIPER SW. TO WINDSHIELD WIPER MOTOR                       | DK BLUE-ORANGE STRIPE  | 148     | SERVO FEEDBACK POTENTIOMETER SIGNAL TO AMPLIFIER                | YELLOW-RED HASH        |
| 57      | GROUND CIRCUIT                                                       | BLACK BASE             | 149     | SERVO FEEDBACK POTENTIOMETER BASE TO AMPLIFIER                  | BROWN-LT GREEN HASH    |
| 58      | WINDSHIELD WIPER SW. TO WINDSHIELD WIPER MOTOR                       | WHITE BASE             | 150     | SENSOR SIGNAL TO AMPLIFIER                                      | DK GREEN-WHITE STRIPE  |
| 60      | CONSTANT VOLTAGE UNIT TO GAGE                                        | BLACK-LT GREEN DOT     | 151     | SPEED CONTROL ON-OFF SWITCH TO AMPLIFIER                        | LT BLUE-BLACK HASH     |
| 61      | WINDSHIELD WIPER SW. TO WINDSHIELD WIPER MOTOR                       | YELLOW-RED STRIPE      |         |                                                                 |                        |



## CAR STANDARD WIRE COLOR CODE CHART (CONTINUED)

| CIRCUIT | DESCRIPTION                                                             | COLOR                   | CIRCUIT | DESCRIPTION                                                              | COLOR                    |
|---------|-------------------------------------------------------------------------|-------------------------|---------|--------------------------------------------------------------------------|--------------------------|
| 153     | STARTING MOTOR RELAY TO FLASHER                                         | RED-WHITE STRIPE        | 296     | FUSED ACCY FEED # 1                                                      | WHITE-PURPLE STRIPE      |
| 158     | KEY WARNING SWITCH TO BUZZER                                            | BLACK-PINK HASH         | 297     | ACCY FEED FROM IGNITION SWITCH                                           | BLACK-LT GREEN HASH      |
| 159     | DOOR JAMB SWITCH TO BUZZER                                              | RED-PINK STRIPE         | 298     | FUSED ACCY FEED # 2                                                      | PURPLE-ORANGE HASH       |
| 160     | BUZZER TO WARNING INDICATOR RELAY                                       | WHITE-PINK STRIPE       | 306     | SEAT REG. SW. TO HORIZ. SOLENOID BATT. TERM.                             | LT BLUE BASE             |
| 162     | EMERG. BRAKE WARNING LAMP TO EMERG. BRAKE SWITCH                        | LT GREEN-RED DOT        | 307     | SEAT REG. SW. TO VERT. SOLENOID BATT. TERM.                              | WHITE BASE               |
| 170     | WINDOW REGULATOR SWITCH FEED                                            | RED-LT BLUE DOT         | 313     | LEFT FRONT WINDOW REGULATOR SWITCH TO RIGHT FRONT WINDOW REGULATOR MOTOR | YELLOW-BLACK STRIPE      |
| 171     | CIRCUIT BREAKER TO SEAT LATCH RELAY                                     | BLACK-WHITE STRIPE      | 314     | LEFT FRONT WINDOW REGULATOR SWITCH TO RIGHT FRONT WINDOW REGULATOR MOTOR | RED-BLACK STRIPE         |
| 172     | RELAY TO SEAT LATCH SOLENOID                                            | ORANGE BASE             | 316     | LEFT FRONT WINDOW REGULATOR SWITCH TO LEFT REAR WINDOW REGULATOR MOTOR   | YELLOW-LT BLUE STRIPE    |
| 174     | DOOR SWITCH TO SEAT LATCH RELAY (COIL TERM.)                            | PINK-WHITE STRIPE       | 317     | LEFT FRONT WINDOW REGULATOR SWITCH TO LEFT REAR WINDOW REGULATOR MOTOR   | RED-LT BLUE HASH         |
| 175     | TOP CONTROL SWITCH OR RELAY FEED                                        | BLACK-YELLOW DOT        | 319     | LEFT FRONT WINDOW REGULATOR SWITCH TO RIGHT REAR WINDOW REGULATOR MOTOR  | YELLOW-BLACK HASH        |
| 176     | REAR WINDOW REGULATOR SWITCH FEED                                       | WHITE BASE              | 320     | LEFT FRONT WINDOW REGULATOR SWITCH TO RIGHT REAR WINDOW REGULATOR MOTOR  | RED-BLACK HASH           |
| 179     | HORIZONTAL SEAT REG. MOTOR TO RELAY                                     | YELLOW BASE             | 328     | WINDOW REG. MASTER CONT. SW. TO WINDOW REG. SW. FEED                     | RED-YELLOW DOT           |
| 180     | HORIZONTAL SEAT REG. MOTOR TO RELAY                                     | RED BASE                | 333     | WINDOW REG. SW. TO WINDOW REG. MOTOR                                     | YELLOW-RED STRIPE        |
| 181     | BLOWER MOTOR FEED                                                       | BROWN-ORANGE STRIPE     | 334     | WINDOW REG. SW. TO WINDOW REG. MOTOR                                     | RED-YELLOW STRIPE        |
| 182     | THERMOSTAT SWITCH FEED                                                  | BROWN-WHITE STRIPE      | 347     | COMPRESSOR CLUTCH FEED                                                   | BLACK-YELLOW HASH        |
| 184     | AIR COND. SW. (LO) TO AIR COND. BLOWER MOTOR                            | TAN-ORANGE HASH         | 348     | THERMOSTATIC SW. TO AIR COND. SW. SELECTOR TERM.                         | LT GREEN-PURPLE HASH     |
| 186     | DEFOGGER SW. TO DEFOGGER MOTOR                                          | BROWN-LT BLUE HASH      | 364     | BLOWER MOTOR RELAY FEED                                                  | BLACK-LT GREEN STRIPE    |
| 188     | CIRCUIT BREAKER TO HEADLAMP SW. "BATT." TERM.                           | BLACK BASE              | 365     | FUEL LEVEL WARNING RELAY FEED                                            | LT BLUE-RED HASH         |
| 191     | DEFOGGER SW. TO DEFOGGER MOTOR                                          | DK BLUE-YELLOW STRIPE   | 366     | FUEL WARNING RELAY CONTROL                                               | RED-BLACK HASH           |
| 193     | WINDOW REGULATOR RELAY FEED                                             | YELLOW-LT GREEN HASH    | 367     | FUEL LEVER RECEIVER TO FUEL LEVER WARNING RELAY (REG. TERM.)             | DK GREEN-WHITE DOT       |
| 194     | WINDOW REGULATOR RELAY ACCY FEED                                        | PINK BASE               | 369     | VACUUM SOLENOID TO TEMP. SW.                                             | BROWN-ORANGE HASH        |
| 196     | COOLANT FAN CONTROL RELAY FEED                                          | TAN-RED DOT             | 371     | BLOWER MOTOR RELAY TO MOTOR                                              | PINK-WHITE HASH          |
| 197     | COOLANT TEMPERATURE SWITCH TO CONTROL RELAY                             | TAN-ORANGE DOT          | 375     | MOVABLE STEERING COLUMN SOLENOID FEED                                    | YELLOW-LT GREEN DOT      |
| 198     | A/C PRESSURE SWITCH TO CONTROL RELAY                                    | TAN-YELLOW DOT          | 379     | TURN SIGNAL SWITCH TO RH CORNERING LAMP                                  | BROWN-WHITE HASH         |
| 199     | CONTROL RELAY TO IGNITION RELAY                                         | TAN-LT GREEN DOT        | 380     | TURN SIGNAL SWITCH TO RH CORNERING LAMP                                  | PURPLE-YELLOW STRIPE     |
| 200     | IGNITION RELAY TO COOLANT FAN                                           | TAN-LT BLUE DOT         | 381     | MOVABLE STEERING COLUMN SOLENOID TO COURTESY LAMP SWITCH                 | ORANGE-WHITE STRIPE      |
| 206     | GROUND RETURN TO TOWING VEHICLE                                         | WHITE BASE              | 383     | EMERGENCY WARNING FLASHER FEED                                           | RED-WHITE HASH           |
| 207     | MARKER LAMP SWITCH TO MARKER LAMPS                                      | BLACK BASE              | 385     | FLASHER TO EMERGENCY WARNING SWITCH                                      | WHITE-RED HASH           |
| 212     | AUXILIARY CIRCUIT FEED TO TRACTOR TRAILER PLUG                          | DK BLUE GASE            | 387     | READING LAMP SWITCH TO READING LAMP (LH)                                 | LT GREEN BASE            |
| 215     | SIGNAL UNIT LAMP TO FUEL SIGNAL RELAY                                   | YELLOW-BLACK DOT        | 399     | HEATER BLOWER SWITCH FEED                                                | BROWN-YELLOW STRIPE      |
| 226     | LF WINDOW REG. SW. TO LF WINDOW REG. MOTOR                              | RED BASE                | 400     | SAFETY RELAY LOAD TERM. TO WIND. REG. SW. FEED                           | LT BLUE-BLACK DOT        |
| 227     | LF WINDOW REG. SW. TO LF WINDOW REG. MOTOR                              | YELLOW BASE             | 401     | LIMIT SW. TO BACK WINDOW REG. MOTOR                                      | GRAY-BLACK STRIPE        |
| 241     | DE-ICE SOLENOID CONTROL                                                 | LT BLUE-YELLOW STRIPE   | 402     | WINDOW REG. SW. TO BACK WINDOW REG. MOTOR                                | GRAY-RED STRIPE          |
| 243     | POWER SERVO TO CLIMATE CONTROL UNIT (MODE)                              | LT GREEN-ORANGE HASH    | 403     | WINDOW REG. SW. TO WIND. REG. MOTOR                                      | GRAY-WHITE STRIPE        |
| 244     | THERMAL SW. TO CLIMATE CONTROL UNIT                                     | YELLOW-WHITE HASH       | 404     | WINDOW REG. SW. TO BACK WIND. SW.                                        | PURPLE-LT GREEN STRIPE   |
| 245     | POWER SERVO TO CLIMATE CONTROL UNIT (AMP)                               | BROWN-LT GREEN STRIPE   | 405     | WINDOW REG. SW. TO BACK WIND. SW.                                        | PURPLE-LT BLUE STRIPE    |
| 246     | POWER SERVO TO CLIMATE CONTROL UNIT (AMP)                               | PURPLE BASE             | 406     | WINDOW REG. SW. TO BACK WIND. AUX. SW.                                   | TAN BASE                 |
| 247     | POWER SERVO TO CLIMATE CONTROL UNIT (AMP)                               | WHITE-YELLOW STRIPE     | 407     | WINDOW REG. SW. REAR TO LIMIT SW.                                        | TAN-BLACK STRIPE         |
| 248     | HEATER & A/C CONTROL SW. (DE-ICE) TO CLIMATE CONTROL UNIT               | YELLOW-LT BLUE HASH     | 408     | WINDOW REG. SW. FRONT TO LIMIT SW.                                       | TAN-RED STRIPE           |
| 249     | HEATER & A/C CONTROL SW. (LO-NORM) TO CLIMATE CONTROL UNIT              | DK BLUE-LT GREEN STRIPE | 409     | PRESSURE SWITCH TO KEY SWITCH                                            | TAN-BLACK DOT            |
| 250     | HEATER & A/C CONTROL SW. (LO-NORM) TO POWER SERVO                       | ORANGE BASE             | 442     | SEQUENTIAL LH REAR INBOARD TURN SIGNAL LAMP                              | LT GREEN-ORANGE STRIPE   |
| 253     | INTERMEDIATE TERM. 3 SPEED AXLE SWITCH TO SOLENOID VALVE FORWARD TANDEM | RED BASE                | 443     | SEQUENTIAL LH REAR CENTER TURN SIGNAL LAMP                               | LT GREEN-RED STRIPE      |
| 254     | HIGH TERMINAL 3 SPEED AXLE SWITCH TO SOLENOID VALVE REAR TANDEM         | BLACK BASE              | 444     | SEQUENTIAL LH REAR OUTBOARD TURN SIGNAL LAMP                             | LT GREEN-BLACK STRIPE    |
| 255     | AXLE LOCKOUT DIFFERENTIAL SWITCH FEED                                   | LT BLUE-RED HASH        | 445     | SEQUENTIAL RH REAR INBOARD TURN SIGNAL LAMP                              | ORANGE-LT BLUE STRIPE    |
| 260     | BLOWER MOTOR TO SWITCH - LO                                             | RED-ORANGE HASH         | 446     | SEQUENTIAL RH REAR CENTER TURN SIGNAL LAMP                               | ORANGE-WHITE STRIPE      |
| 261     | BLOWER MOTOR TO SWITCH - HI                                             | ORANGE-BLACK STRIPE     | 447     | SEQUENTIAL RH REAR OUTBOARD TURN SIGNAL LAMP                             | ORANGE-RED STRIPE        |
| 262     | STARTING MOTOR RELAY TO IGNITION COIL "I" TERM.                         | BROWN-PINK STRIPE       | 450     | SEAT BELT WARNING INDICATOR LAMP FEED                                    | DK GREEN-LT GREEN STRIPE |
| 269     | HEATER BLOWER MOTOR TO SWITCH (MEDIUM)                                  | LT BLUE-ORANGE HASH     | 454     | IGN. SW. COIL TERM. TO CIRCUIT BREAKER                                   | RED-LT GREEN STRIPE      |
| 282     | TURN SIGNAL SW. TO RH REAR TURN SIGNAL LAMP                             | DK GREEN BASE           |         |                                                                          |                          |
| 283     | TURN SIGNAL SW. TO LH REAR TURN SIGNAL LAMP                             | YELLOW-BLACK STRIPE     |         |                                                                          |                          |
| 284     | BATTERY FEED TO STOP LAMP SWITCH                                        | RED BASE                |         |                                                                          |                          |
| 287     | SPEAKER VOICE COIL RETURN                                               | BLACK-WHITE HASH        |         |                                                                          |                          |

## CAR STANDARD WIRE COLOR CODE CHART (CONTINUED)

| CIRCUIT | DESCRIPTION                                                | COLOR                  | CIRCUIT | DESCRIPTION                                                         | COLOR                  |
|---------|------------------------------------------------------------|------------------------|---------|---------------------------------------------------------------------|------------------------|
| 455     | CIRCUIT BREAKER TO FUEL VALVE                              | LT GREEN-YELLOW HASH   | 648     | TACHOMETER FEED                                                     | RED-LT BLUE DOT        |
| 458     | TURN SIGNAL SWITCH TO INDICATOR RELAY                      | ORANGE-BLACK HASH      | 654     | ALT. SHUNT TO AMMETER                                               | YELLOW-LT GREEN STRIPE |
| 459     | INDICATOR RELAY TO FLASHER                                 | ORANGE-LT GREEN STRIPE | 655     | STARTING MOTOR RELAY SHUNT TO AMMETER                               | RED-ORANGE STRIPE      |
| 460     | HORN SWITCH FEED                                           | YELLOW-LT BLUE DOT     | 660     | AIR COND. CONTROL SW. TO FRESH-AIR RECIRC. DOOR SOLENOID            | YELLOW-LT GREEN DOT    |
| 469     | SEAT BELT WARNING SWITCH FEED                              | LT GREEN BASE          | 671     | SPEED REG. SW. "ON" POSITION TO ON & OFF RELAY                      | WHITE BASE             |
| 474     | STOPLAMP RELAY FEED                                        | PINK-BLACK STRIPE      | 672     | SELECTOR SW. TO LEFT HAND PUMP MOTOR                                | BROWN-WHITE HASH       |
| 475     | STOPLAMP SW. TO STOPLAMP RELAY (COIL TERM)                 | DK GREEN-WHITE HASH    | 673     | SELECTOR SW. TO LEFT FUEL GAGE                                      | LT GREEN BASE          |
| 478     | FOG LAMP SW. TO FOG LAMP                                   | TAN-ORANGE STRIPE      | 674     | SELECTOR SW. TO RIGHT HAND PUMP MOTOR                               | BROWN-WHITE STRIPE     |
| 485     | IGNITION SWITCH ACCY. TERM. TO DECK LID OPEN WARNING LAMP  | BROWN-PINK HASH        | 675     | SELECTOR SW. TO RIGHT FUEL GAGE                                     | LT GREEN-RED STRIPE    |
| 486     | DECK LID OPEN WARNING LAMP TO DECK LID OPEN SWITCH         | BROWN-WHITE DOT        | 683     | HI/LO SW. "R" TERM. TO TRACTOR-TRAILER RELAY "F" TERM.              | BROWN-PINK DOT         |
| 487     | READING LAMP SWITCH TO READING LAMP                        | PINK-ORANGE STRIPE     | 684     | TRACTOR-TRAILER RELAY "A" TERM. TO MARKER LAMP SW.                  | BLACK-WHITE STRIPE     |
| 494     | TURN SIGNAL RELAY TO TURN SIGNAL FLASHER                   | TAN-LT GREEN HASH      | 686     | HEADLAMP TIME DELAY CONTROL RELAY TO CIR. BREAKER                   | GRAY-ORANGE STRIPE     |
| 500     | HEADLAMP DIMMER SWITCH TO HEADLAMP DIMMER RELAY            | PURPLE BASE            | 687     | ACCY FEED                                                           | GRAY-YELLOW STRIPE     |
| 502     | HEADLAMP DIMMER RELAY TO HEADLAMP DIMMER SWITCH            | GRAY BASE              | 688     | HYD BACKLITE SW. TO TIME DELAY RELAY                                | GRAY-LT BLUE STRIPE    |
| 503     | HEADLAMP DIMMER RELAY TO FUSE HOLDER                       | LT BLUE BASE           | 697     | SPEED REG. SW. "OFF" POSITION TO ON & OFF RELAY                     | ORANGE-BLACK STRIPE    |
| 504     | FUSE HOLDER TO HEADLAMP DIMMER AMPLIFIER                   | DK BLUE-WHITE HASH     | 743     | ANTENNA SWITCH TO POWER ANTENNA (UP)                                | RED-PINK HASH          |
| 505     | HEADLAMP DIMMER SWITCH TO HEADLAMP DIMMER AMPLIFIER        | BLACK BASE             | 746     | ANTENNA SWITCH TO POWER ANTENNA (DOWN)                              | DK GREEN-YELLOW STRIPE |
| 507     | AMPLIFIER TO RHEOSTAT                                      | YELLOW BASE            | 751     | BLOWER MOTOR SPEED CONTROLLER TO RESISTOR # 3 (MED.)                | DK BLUE-WHITE HASH     |
| 508     | RHEOSTAT TO SENSOR                                         | WHITE BASE             | 752     | BLOWER MOTOR SPEED CONTROLLER TO RESISTOR # 2 (MED.)                | YELLOW-RED DOT         |
| 509     | AIR COND. CONDENSOR THERMAL SWITCH FEED                    | TAN-YELLOW STRIPE      | 753     | HEATER & A/C CONTROL SW. TO BLOWER RELAY SW.                        | YELLOW-RED STRIPE      |
| 511     | STOPLAMP SWITCH TO TURN SIGNAL SWITCH                      | LT GREEN BASE          | 754     | BLOWER MOTOR SPEED CONTROLLER TO RESISTOR # 1 (MED.)                | LT GREEN-WHITE HASH    |
| 515     | RESISTOR TO BLOWER MOTOR (HI)                              | ORANGE-RED STRIPE      | 755     | BLOWER MOTOR SWITCH RELAY TO RESISTOR (LOW SPEED)                   | BROWN-WHITE STRIPE     |
| 517     | CIRCUIT BREAKER (LOAD TERM) TO CONTROL SWITCH (BATT. TERM) | BLACK-WHITE STRIPE     | 756     | HEATER & A/C CONTROL SW. (HI-NORM) TO RESISTOR (LOW RANGE)          | RED-PINK DOT           |
| 519     | GLOW PLUG SW. TO LAMP (FEED)                               | WHITE BASE             | 757     | HEATER & A/C CONTROL SW. (HI-NORM) TO BLOWER MOTOR SW. RELAY        | RED-WHITE STRIPE       |
| 520     | SEAT BELT WARNING LAMP TO WARNING LAMP SWITCH              | PURPLE-WHITE HASH      | 758     | HEATER & A/C CONTROL SW. (LO-NORM) TO RESISTOR (LOW RANGE)          | PURPLE-WHITE DOT       |
| 526     | CIRCUIT BREAKER TO MARKER LAMP SW. FEED                    | BLACK-WHITE STRIPE     | 761     | BLOWER MOTOR RELAY TO ENG. WATER TEMP. SWITCH (COLD)                | WHITE-LT GREEN STRIPE  |
| 527     | HEADLAMP DIMMER SWITCH OVERRIDE TO RHEOSTAT                | RED BASE               | 765     | HEATER & A/C CONTROL SW. TO REHEAT & A/C FEED                       | LT GREEN-YELLOW HASH   |
| 528     | BLOWER MOTOR RELAY (LOAD TERM) TO BLOWER MOTOR             | BLACK-LT GREEN DOT     | 766     | HEATER & A/C CONTROL SW. (DE-ICE) TO INLET AIR CONTROL SOLENOID     | RED-LT GREEN DOT       |
| 568     | ALTERNATOR RELAY TO ALTERNATOR REGULATOR                   | LT GREEN BASE          | 767     | AMBIENT SENSOR TO INST. PANEL THERMISTOR                            | LT BLUE-ORANGE STRIPE  |
| 587     | WINDSHIELD WIPER INTERMITTENT GOVERNOR FEED                | BLACK-WHITE HASH       | 768     | REFERENCE SENSOR TO HEAT DUCT THERMISTOR                            | LT GREEN-YELLOW HASH   |
| 589     | WINDSHIELD WIPER SWITCH TO INTERMITTER GOVERNOR GROUND     | ORANGE BASE            | 769     | HEATER & A/C CONTROL SW. (HI & LO NORM) TO BLOWER HEATER SW. RELAY  | LT BLUE-YELLOW HASH    |
| 590     | INTERMITTENT GOVERNOR TO W/S WIPER SWITCH                  | DK BLUE-WHITE STRIPE   | 773     | HEATER & A/C CONTROL SW. (TEMP. SELECTOR) TO REHEAT AMPL.           | DK GREEN-ORANGE HASH   |
| 591     | STOPLAMP SW. TO SPEED CONTROL RELAY                        | BLACK-ORANGE STRIPE    | 775     | HEATER & A/C CONTROL SW. (DEFOG) TO DEFROST CONT. SOLENOID          | WHITE-PINK STRIPE      |
| 592     | STOPLAMP SW. TO SPEED CONTROL RELAY                        | LT BLUE-WHITE HASH     | 776     | CLIMATE CONTROL BOX TO HIGH BLOWER RELAY                            | ORANGE-BLACK DOT       |
| 593     | SPEED CONTROL ACTUATOR TO CUTOUT RELAY                     | YELLOW BASE            | 780     | ENGINE ALARM RELAY (OIL PRESS.) "F" TERM. TO "A" TERM. IGNITION SW. | RED BASE               |
| 596     | PRIMER SW. TO OIL PRESSURE SAFETY SWITCH                   | BLACK-ORANGE DOT       | 787     | FUEL PUMP SAFETY SWITCH TO FUEL PUMP MOTOR                          | PINK-BLACK HASH        |
| 597     | COIL TERM. OF IGN. SW. TO OIL PRESSURE SAFETY SWITCH       | RED BASE               | 788     | REHEAT AMPLIFIER TO HEAT DUCT THERMISTOR                            | RED-ORANGE DOT         |
| 598     | COIL TERM. OF IGN. SW. TO FUEL PUMP PRIMER SWITCH          | PINK-YELLOW STRIPE     | 790     | HEATER & A/C CONTROL SW. TO INST. PANEL THERMISTOR                  | WHITE-ORANGE STRIPE    |
| 600     | FEED TO FAILURE SWITCH                                     | DK BLUE BASE           | 797     | BATTERY FEED TO STEREO                                              | LT GREEN-PURPLE STRIPE |
| 601     | BRAKE SKID CONTROL MODULE FEED                             | LT BLUE-PINK STRIPE    | 804     | SPEAKER VOICE COIL FEED-FRONT (LEFT CHANNEL)                        | ORANGE-LT GREEN HASH   |
| 602     | COIL TERM. OF IGN. SW. TO BRAKE SKID CONTROL MODULE        | RED-LT GREEN HASH      | 805     | SPEAKER VOICE COIL FEED-FRONT (RIGHT CHANNEL)                       | WHITE-LT GREEN HASH    |
| 603     | FAILURE WARNING LIGHT                                      | DK GREEN BASE          | 806     | SPEAKER VOICE COIL FEED-REAR (RIGHT CHANNEL)                        | PINK-LT BLUE STRIPE    |
| 604     | SKID CONTROL MODULE TO RH WHEEL SENSOR HI SOLENOID         | ORANGE-RED HASH        | 807     | SPEAKER VOICE COIL FEED-REAR (LEFT CHANNEL)                         | PINK-LT GREEN STRIPE   |
| 605     | SOLENOID                                                   | RED BASE               | 808     | SELECTOR SWITCH TO FUEL TANK SOLENOID VALVE                         | BROWN-ORANGE STRIPE    |
| 626     | OPEN DOOR WARNING LAMP FEED                                | PINK-YELLOW HASH       | 810     | STOPLAMP SW. TO STOPLAMP                                            | RED-LT GREEN HASH      |
| 627     | OPEN DOOR WARNING LAMP TO OPEN DOOR WARNING SWITCH         | BLACK-ORANGE HASH      | 817     | INDICATOR RELAY TO RH TURN LAMP                                     | TAN-LT BLUE HASH       |
| 632     | IGN. SW. COIL TERM. TO OIL TEMP. WARNING LAMP              | BLACK BASE             |         |                                                                     |                        |
| 633     | IGN. SW. TO OIL TEMP. WARNING RELAY                        | RED BASE               |         |                                                                     |                        |
| 634     | OIL TEMP. WARNING RELAY TO OIL TEMP. WARNING LAMP          | LT BLUE BASE           |         |                                                                     |                        |
| 635     | OIL TEMP. WARNING LAMP TO OIL TEMP. WARNING SWITCH         | LT GREEN BASE          |         |                                                                     |                        |
| 640     | WARNING LAMPS FEED                                         | RED-YELLOW HASH        |         |                                                                     |                        |
| 642     | WATER TEMP. WARNING LAMP TO WATER TEMP. SW. (COLD)         | WHITE-LT GREEN STRIPE  |         |                                                                     |                        |
| 647     | WATER TEMP. WARNING LAMP TO WATER TEMP. SW. (HOT)          | RED-BLACK DOT          |         |                                                                     |                        |

## CAR STANDARD WIRE COLOR CODE CHART (CONTINUED)

| CIRCUIT | DESCRIPTION                                                                 | COLOR                  | CIRCUIT | DESCRIPTION                                      | COLOR                  |
|---------|-----------------------------------------------------------------------------|------------------------|---------|--------------------------------------------------|------------------------|
| 818     | INDICATOR RELAY TO LH TURN LAMP                                             | TAN-WHITE HASH         | 933     | ESC SWITCH TO ESC VALVE CONTROL                  | LT GREEN-BLACK HASH    |
| 822     | SPEAKER VOICE COIL FEED                                                     | BLACK-LT GREEN DOT     | 934     | EMISSION SPEED SENSOR TO MODULATOR CONTROL       | TAN-WHITE STRIPE       |
| 823     | RADIO TO FADER CONTROL                                                      | LT GREEN BASE          | 939     | MODULATOR TO THERMO. SWITCH                      | TAN-BLACK HASH         |
| 848     | BALLAST RESISTOR "E" TERM. TO TRANSISTOR UNIT "E" TERM.                     | RED-ORANGE DOT         | 941     | WASHER PUMP MOTOR FEED                           | BLACK-WHITE STRIPE     |
| 850     | BALLAST RESISTOR COIL TERM. TO IGNITION COIL BATT. TERM.                    | LT BLUE-WHITE DOT      | 943     | TRACTOR TRAILER RELAY "B" FEED                   | DK GREEN-PURPLE HASH   |
| 851     | TRANSISTOR UNIT "B" TERM. TO DISTRIBUTOR                                    | LT GREEN BASE          | 946     | REAR WASHER PUMP FEED                            | PURPLE-LT GREEN HASH   |
| 852     | TRANSISTOR UNIT "C" TERM. TO BALLAST RESISTOR "C" TERM.                     | LT BLUE-PINK HASH      | 950     | WASHER CONTROL SWITCH FEED                       | WHITE-BLACK STRIPE     |
| 853     | COIL TERM. IGN. SW. TO BALLAST RESISTOR "E" TERM.                           | RED-ORANGE HASH        | 955     | W/S WIPER MOTOR ARM RH TO W/S WIPER SWITCH       | RED-ORANGE STRIPE      |
| 854     | C.S. RELAY TO STARTER SOLENOID "I" TERM.                                    | BROWN-YELLOW HASH      | 956     | W/S WIPER SWITCH TO W/S WIPER MOTOR FIELD RH     | LT GREEN-ORANGE STRIPE |
| 858     | MAKE READY SWITCH TO BRAKE PEDAL PAD SWITCH                                 | PINK-ORANGE HASH       | 960     | AUX. HEATER FEED TO SWITCH                       | RED-YELLOW DOT         |
| 859     | BRAKE PEDAL PAD SWITCH TO CONTROL RELAY TERM. # 4                           | YELLOW BASE            | 962     | DIFF. TEMP. SWITCH TO FRONT DIFF.                | RED-LT GREEN DOT       |
| 860     | MAKE READY SWITCH TO SET SPEED SWITCH                                       | PURPLE-WHITE STRIPE    | 963     | DIFF. TEMP. TO REAR DIFF.                        | DK GREEN-LT GREEN HASH |
| 861     | RETARD SWITCH TO CONTROL RELAY TERM. # 7                                    | LT BLUE-WHITE STRIPE   | 975     | TRANSMISSION TEMPERATURE LAMP INDICATOR FEED     | RED-BLACK HASH         |
| 863     | BRAKE SWITCH TO HOLDING RELAY                                               | BLACK-YELLOW STRIPE    | 976     | FUSE PANEL TO FUEL GAGE INDICATOR                | BLACK-LT GREEN DOT     |
| 869     | RETARD VALVE TO CONTROL RELAY TERM. # 1                                     | LT GREEN-YELLOW STRIPE | 977     | BRAKE WARNING SWITCH TO INDICATOR LAMP           | PURPLE-WHITE STRIPE    |
| 870     | EMERGENCY STOP LAMP SWITCH TO TRACTOR-TRAILER PLUG                          | RED BASE               | 978     | SEAT REGULATOR SWITCH TO FRONT MOTOR (LH)        | YELLOW-LT BLUE STRIPE  |
| 883     | AIR COND CONTROL RELAY FEED                                                 | PINK-LT BLUE HASH      | 979     | SEAT REGULATOR SWITCH TO FRONT MOTOR (LH)        | RED-LT BLUE STRIPE     |
| 904     | (COIL) OR (ACCY) TERM. OF IGNITION SW. TO ALTERNATOR REGULATOR (IGN. TERM.) | LT GREEN-RED STRIPE    | 980     | SEAT REGULATOR SWITCH TO HORZ. MOTOR (LH)        | YELLOW-WHITE STRIPE    |
| 914     | SPEED REGULATOR SWITCH FEED                                                 | DK GREEN-ORANGE STRIPE | 981     | SEAT REGULATOR SWITCH TO HORZ. MOTOR (LH)        | RED-WHITE STRIPE       |
| 917     | VENT SWITCH TO BLOWER MOTOR LO                                              | PINK-LT GREEN HASH     | 982     | SEAT REGULATOR SWITCH TO REAR MOTOR (LH)         | YELLOW-LT GREEN STRIPE |
| 920     | BRAKE SWITCH TO SPEED CONTROL REG.                                          | WHITE-YELLOW HASH      | 983     | SEAT REGULATOR SWITCH TO REAR MOTOR (LH)         | RED-LT GREEN STRIPE    |
| 923     | SPEED CONTROL SWITCH TO SPEED REG. SOLENOID                                 | PURPLE BASE            | 984     | SEAT REGULATOR SWITCH TO FRONT MOTOR (RH)        | YELLOW-LT BLUE DOT     |
| 924     | HOLDING RELAY TO SPEED CONTROL SWITCH FEED                                  | RED BASE               | 985     | SEAT REGULATOR SWITCH TO FRONT MOTOR (RH)        | RED-LT BLUE DOT        |
| 925     | SPEED CONTROL SWITCH TO SPEED REG. COUPLING COIL                            | WHITE-ORANGE STRIPE    | 986     | SEAT REGULATOR SWITCH TO HORZ. MOTOR (RH)        | YELLOW-WHITE DOT       |
|         |                                                                             |                        | 987     | SEAT REGULATOR SWITCH TO HORZ. MOTOR (RH)        | RED-WHITE DOT          |
|         |                                                                             |                        | 988     | SEAT REGULATOR SWITCH TO REAR MOTOR (RH)         | YELLOW-LT GREEN DOT    |
|         |                                                                             |                        | 989     | SEAT REGULATOR SWITCH TO REAR MOTOR (RH)         | RED-LT GREEN DOT       |
|         |                                                                             |                        | 990     | SEAT REGULATOR SWITCH TO FRONT MOTOR (LH)        | YELLOW-LT BLUE HASH    |
|         |                                                                             |                        | 993     | INTERMITTENT GOVERNOR TO WINDSHIELD WIPER SWITCH | BROWN-WHITE STRIPE     |

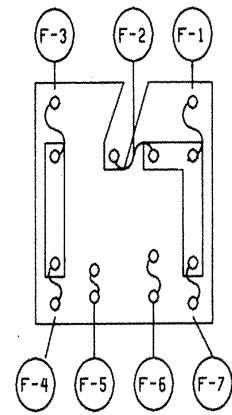


## CAR STANDARD COLOR CODE CHART (BY COLOR)

| BASE  | STRIPE   | HASH     | DOT | CIRCUIT | DESCRIPTION                                                          |
|-------|----------|----------|-----|---------|----------------------------------------------------------------------|
|       |          |          |     | 48      | BLIND CIRCUIT TERM IN HARNESS CANNOT BE CHECKED FOR CONT (COLOR OPT) |
| BLACK |          |          |     | 57      | GROUND CIRCUIT                                                       |
| BLACK |          |          |     | 188     | CIRCUIT BRKR. TO HEADLAMP SW. BATT. TERM.                            |
| BLACK |          |          |     | 207     | MARKER LAMP SWITCH TO MARKER LAMPS                                   |
| BLACK |          |          |     | 254     | HIGH TERMINAL 3 SPEED AXLE SWITCH TO SOLENOID VALVE REAR TANDEM      |
| BLACK |          |          |     | 505     | HEADLAMP DIMMER SWITCH TO HEADLAMP DIMMER AMPLIFIER                  |
| BLACK |          |          |     | 632     | IGN. SW. COIL TERM. TO OIL TEMP. WARNING LAMP                        |
| BLACK | LT BLUE  |          |     | 53      | COURTESY LAMP SWITCH TO COURTESY LAMP                                |
| BLACK | LT GREEN |          |     | 30      | CONSTANT VOLTAGE UNIT AND INDICATOR LAMPS FEED                       |
| BLACK | LT GREEN |          |     | 364     | BLOWER MOTOR RELAY FEED                                              |
| BLACK | ORANGE   |          |     | 38      | POWER SUPPLY TO BATTERY                                              |
| BLACK | ORANGE   |          |     | 591     | SPEED CONTROL RELAY TO SPEED REGULATOR                               |
| BLACK | PINK     |          |     | 55      | CARGO LAMP SW. TO CARGO LAMP                                         |
| BLACK | PINK     |          |     | 140     | BACK UP LAMP                                                         |
| BLACK | WHITE    |          |     | 88      | INSTUMENT PANEL LAMP SWITCH FEED                                     |
| BLACK | WHITE    |          |     | 171     | CIRCUIT BREAKER TO SEAT LATCH RELAY                                  |
| BLACK | WHITE    |          |     | 517     | CIRCUIT BREAKER (LOAD TERM) TO CONTROL SW. (BATT. TERM)              |
| BLACK | WHITE    |          |     | 526     | CIRCUIT BREAKER TO MARKER LAMP SW. FEED                              |
| BLACK | WHITE    |          |     | 684     | TRACTOR-TRAILER RELAY A TERM. TO MARKER LAMP SW.                     |
| BLACK | WHITE    |          |     | 941     | WASHER PUMP MOTOR FEED                                               |
| BLACK | YELLOW   |          |     | 111     | WARNING LAMP TO LIGHTS ON RELAY                                      |
| BLACK | YELLOW   |          |     | 863     | BRAKE SWITCH TO HOLDING RELAY                                        |
| BLACK |          | LT BLUE  |     | 41      | WARNING LAMP FEED                                                    |
| BLACK |          | LT GREEN |     | 297     | ACCY. FEED FROM IGNITION SWITCH                                      |
| BLACK |          | ORANGE   |     | 627     | OPEN DOOR WARNING LAMP TO OPEN DOOR WARNING SWITCH                   |
| BLACK |          | PINK     |     | 158     | KEY WARNING SWITCH TO BUZZER                                         |
| BLACK |          | WHITE    |     | 287     | SPEAKER VOICE COIL RETURN                                            |

## CAR STANDARD COLOR CODE CHART (BY COLOR) (Cont'd)

| BASE    | STRIPE   | HASH   | DOT      | CIRCUIT | DESCRIPTION                                                     |
|---------|----------|--------|----------|---------|-----------------------------------------------------------------|
| BLACK   |          | WHITE  |          | 587     | WINDSHIELD WIPER INTERMITTENT GOVERNOR FEED                     |
| BLACK   |          | YELLOW |          | 347     | COMPRESSOR CLUTCH FEED                                          |
| BLACK   |          |        | LT BLUE  | 127     | COURTESY LAMP SW. TO C PILLAR LAMPS                             |
| BLACK   |          |        | LT GREEN | 60      | CONSTANT VOLIAGE UNIT TO GAGE                                   |
| BLACK   |          |        | LT GREEN | 536     | BLOWER MOTOR RELAY (LOAD TERM) TO BLOWER MOTOR                  |
| BLACK   |          |        | LT GREEN | 822     | SPEAKER VOICE COIL FEED                                         |
| BLACK   |          |        | LT GREEN | 976     | FUSE PANEL TO FUEL GAGE INDICATOR                               |
| BLACK   |          |        | ORANGE   | 80      | ENGINE COMPARTMENT LAMP FEED                                    |
| BLACK   |          |        | ORANGE   | 126     | COURTESY LAMP SW. TO INSTR. PANEL COURTESY LAMP                 |
| BLACK   |          |        | ORANGE   | 596     | PRIMER SW. TO OIL PRESSURE SAFETY SWITCH                        |
| BLACK   |          |        | PINK     | 28      | WINDSHIELD WIPER SW. TO WINDSHIELD WIPER MOTOR                  |
| BLACK   |          |        | PINK     | 141     | TWO OR THREE SPEED AXLE SWITCH TO TWO OR THREE SPEED AXLE MOTOR |
| BLACK   |          |        | WHITE    | 51      | SEAT REG. CONTROL SWITCH FEED                                   |
| BLACK   |          |        | YELLOW   | 112     | WARNING LAMP RELAY FEED                                         |
| BLACK   |          |        | YELLOW   | 175     | TOP CONTROL SWITCH OR RELAY FEED                                |
| DK BLUE |          |        |          | 1       | HORN SWITCH CONTROL                                             |
| DK BLUE |          |        |          | 212     | AUXILIARY CIRCUIT FEED TO TRACTOR TRAILER PLUG                  |
| DK BLUE |          |        |          | 600     | FEED TO FAILURE SWITCH                                          |
| DK BLUE | LT GREEN |        |          | 249     | HEATER & A/C CONTROL SW. (LO-NORM) TO CLIMATE CONTROL UNIT      |
| DK BLUE | ORANGE   |        |          | 56      | WINDSHIELD WIPER SW. TO WINDSHIELD WIPER MOTOR                  |
| DK BLUE | WHITE    |        |          | 590     | INTERMITTENT GOVERNOR TO W/S WIPER SWITCH                       |
| DK BLUE | YELLOW   |        |          | 191     | DEFOGGER SW. TO DEFOGGER MOTOR                                  |
| DK BLUE |          | ORANGE |          | 24      | ANTI THEFT SWITCH ARM                                           |
| DK BLUE |          | WHITE  |          | 504     | FUSE HOLDER TO HEADLAMP DIMMER AMPLIFIER                        |
| DK BLUE |          | WHITE  |          | 751     | BLOWER MOTOR SPEED CONTROLLER TO RESISTOR #3 (MED.)             |
| DK BLUE |          |        | LT GREEN | 21      | EMA CONTROL TO SPARK RETARD SWITCH                              |
| DK BLUE |          |        | WHITE    | 86      | SEAT BELT WARNING TIMER TO R.F. SEAT SENSOR                     |



FUSE PANEL LOCATION:  
L.H. SIDE OF DASH PANEL

- F-1 (15 AMP) W/S WASHER SWITCH, RADIO, BACKUP LAMP SWITCH MANUAL START INTERLOCK & BACKUP LAMP SWITCH, T/S FLASHER
- F-2 (20 AMP) PARKING BRAKE WARNING LAMP, CONVERTIBLE TOP SWITCH
- F-3 (20 AMP) CIGAR LIGHTER, HORN SWITCH
- F-4 (14AMP) CLOCK, COURTESY LAMPS, MAP LAMP, GLOVE BOX LAMP, LUGGAGE COMPARTMENT LAMP
- F-5 (4 AMP) INSTRUMENT PANEL LAMPS
- F-6 (14 AMP) TACHOMETER, IGNITION SWITCH, WARNING LAMPS, SEAT BELT WARNING BUZZER, SEAT BELT WARNING LAMP, AMBIENT TEMPERATURE SENSOR SWITCH, E.G.R. CONTROL MODULE, E.G.R. CUTOFF MODULE THROTTLE POSITION SOLENOID
- F-7 (14 AMP) HEATER  
NOTE: 30 AMP C/B REQUIRED FOR A/C

| LAMP DESCRIPTION | BULB CHART<br>CANDLEPOWER TRADE OR WATTAGE | TRADE NUMBER |
|------------------|--------------------------------------------|--------------|
| HEADLAMP         |                                            |              |
| H1/LD BEAM       | 50-60                                      | 6014         |
| FRONT PARK/TURN  | 3-32                                       | 1157NA       |
| TAIL/STOP/TURN   | 3-32                                       | 1157         |
| BACK-UP          | 32                                         | 1156         |
| SIDE MARKER      |                                            |              |
| FRONT            | 2                                          | 194          |
| REAR             | 2                                          | 194          |
| LICENSE PLATE    | 4                                          | 97           |
| COURTESY         |                                            |              |
| ENGINE COMPT     | 6                                          | 631          |
| DOME             | 12                                         | 561          |
| GLOVE BOX        | 2                                          | 1895         |
| INSTR PANEL      | 6                                          | 631          |
| LUGGAGE COMPT    | 6                                          | 631          |
| MAP              | 6                                          | 212          |
| ILLUMINATION     |                                            |              |
| AUX CLUSTER      | 2                                          | 194          |
| CIGAR LIGHTER    | 2                                          | 1895         |
| CLOCK            | 2                                          | 194          |
| CLUSTER          | 2                                          | 194          |
| HEADLAMP SWITCH  | 2                                          | 1895         |
| HEATER CONTROL   | .7                                         | 1445         |
| PRNDL            | .7                                         | 1445         |
| RADIO            | 2                                          | 1893         |
| WIPER SWITCH     | 2                                          | 1895         |
| WARNING          |                                            |              |
| ALT              | 2                                          | 194          |
| BRAKE            | 2                                          | 194          |
| OIL              | 2                                          | 194          |
| PARKING BRAKE    | 2                                          | 256          |
| SEAT BELT        | P1A                                        | R            |
| TEMP             | 2                                          | 194          |
| INDICATOR        |                                            |              |
| AM-FM STEREO     | .75                                        | 1892         |
| H1-BEAM          | 2                                          | 194          |
| TURN             | 2                                          | 194          |

WIRING COLOR KEY  
PRIMARY COLORS

|             |    |
|-------------|----|
| BLACK       | BK |
| BROWN       | BR |
| TAN         | T  |
| RED         | R  |
| PINK        | PK |
| ORANGE      | O  |
| YELLOW      | Y  |
| DARK GREEN  | DG |
| LIGHT GREEN | LG |
| DARK BLUE   | DB |
| LIGHT BLUE  | LB |
| PURPLE      | P  |
| GRAY        | OY |
| WHITE       | W  |
| HASH        | HD |
| DOT         | DD |

STRIPE IS UNDERSTOOD AND HAS NO COLOR KEY

HEAVY SOLID LINE REPRESENTS BATTERY FEED  
HEAVY DASHED LINE REPRESENTS ACCESSORY FEED

INDEX

|                                                  |                        |
|--------------------------------------------------|------------------------|
| A/C CLUTCH SOLENOID                              | F-70                   |
| ALTERNATOR                                       | A-1                    |
| ALTERNATOR REGULATOR                             | F-1                    |
| AMMETER                                          | A-3                    |
| AUTOMATIC SEAT BACK LATCH SOLENOID               | E-47, E-48             |
| BATTERY                                          | C-5                    |
| BLOWER MOTOR RESISTOR                            | E-69, E-71             |
| CIGAR LIGHTER                                    | C-32                   |
| CLOCK                                            | D-31                   |
| CLUSTER CLOCK                                    | B-37                   |
| CONSTANT VOLTAGE UNIT                            | F-19                   |
| DISTRIBUTORS                                     |                        |
| 6 CYLINDER 250 C.I.D.                            | D-3                    |
| 8 CYLINDER 302 C.I.D.                            | E-3                    |
| 8 CYLINDER 351 C.I.D.                            | F-3                    |
| ELECTRIC CHOKE                                   | E-5                    |
| EMISSION SYSTEMS                                 |                        |
| AMBIENT TEMP SENSOR SW                           | C-84                   |
| E.G.R. CUTOFF SOLENOID                           | C-87                   |
| SPARK VACUUM MODULE SOL                          | E-87                   |
| SPARK DELAY VALVE BYPASS SOLENOID                | E-88                   |
| E.G.R. CONTROL MODULE                            | A-85                   |
| SPEED SENSOR                                     | C-85                   |
| TRANSMISSION REGULATOR SPARK CONTROL Solenoid    | E-85                   |
| T.R.S. SWITCH                                    | F-86                   |
| THROTTLE POSITIONER SOL                          | C-88                   |
| FLASHERS                                         |                        |
| EMERGENCY WARNING                                | E-34                   |
| TURN SIGNAL                                      | B-34                   |
| GAUGES                                           |                        |
| ENGINE TEMPERATURE                               | F-10                   |
| FUEL                                             | C-20                   |
| OIL PRESSURE                                     | F-12                   |
| TACHOMETER                                       | B-11                   |
| HEATED BACKLITE                                  | E-54                   |
| HORNS                                            | E-31, E-32             |
| IGNITION COIL                                    | F-6                    |
| ILLUMINATION LAMPS                               |                        |
| CIGAR                                            | F-26                   |
| CLOCK                                            | D-30                   |
| GAUGE                                            | D-29                   |
| HEADLAMP SWITCH                                  | F-27                   |
| HEATER SWITCH                                    | F-25                   |
| INSTRUMENT CLUSTER                               | F-29                   |
| PRNDL                                            | E-35                   |
| WINDSHIELD WASHER SWITCH                         | F-26                   |
| IMMERSION HEATER                                 | D-55                   |
| INDICATORS                                       |                        |
| ALTERNATOR WARNING                               | E-9                    |
| DUAL BRAKE WARNING                               | F-14                   |
| ENGINE TEMP. WARNING                             | F-14                   |
| HEATED BACKLITE ON                               | E-51                   |
| H1 BEAM                                          | B-37                   |
| OIL PRESSURE                                     | F-13                   |
| PARKING BRAKE WARNING                            | C-46                   |
| SEAT BELT WARNING                                | D-21                   |
| TURN SIGNAL                                      |                        |
| L.H.                                             | B-36                   |
| R.H.                                             | C-36                   |
| KEY REMINDER BUZZER                              | C-41                   |
| JUNCTION BLOCK                                   | C-3                    |
| LAMPS                                            |                        |
| BACKUP                                           |                        |
| L.H.                                             | F-23                   |
| R.H.                                             | F-24                   |
| COURTESY                                         | E-42, E-43             |
| DOME                                             | D-40                   |
| ENGINE COMPARTMENT                               | C-7                    |
| GLOVE BOX                                        | E-41                   |
| HEADLAMPS                                        |                        |
| L.H.                                             | E-37                   |
| R.H.                                             | E-36                   |
| LICENSE                                          | F-40                   |
| MAP                                              | B-45                   |
| PARK AND TURN FRONT                              |                        |
| L.H.                                             | F-33                   |
| R.H.                                             | F-35                   |
| SWITCHES                                         |                        |
| A/C BLOWER                                       | B-69                   |
| BACKUP LAMP (MANUAL)                             | C-24                   |
| CONVERTIBLE TOP                                  | B-54                   |
| DEICING                                          | E-70                   |
| DOOR JAMBS                                       | B-40, C-43, C-44       |
| DUAL BRAKE WARNING                               | F-15                   |
| EMERGENCY WARNING                                | B-34                   |
| GLOVE BOX                                        | F-41                   |
| HEADLAMP                                         | C-38                   |
| HEADLAMP DIMMER                                  | C-36                   |
| HEATED BACKLITE                                  | B-54                   |
| HEATER BLOWER                                    | B-71                   |
| HORN                                             | C-31                   |
| IGNITION                                         | D-25                   |
| KEY REMINDER                                     | E-41                   |
| MAP LAMP                                         | B-45                   |
| MASTER CONTROL POWER WINDOW                      | A-77                   |
| MODE (N/C)                                       | C-70                   |
| PARKING BRAKE                                    | F-46                   |
| POWER WINDOW                                     | E-77, E-78, E-80       |
| OIL PRESSURE                                     | F-13                   |
| SEAT BELT RETRACTORS                             |                        |
| L.H.                                             | F-22                   |
| R.H.                                             | F-21                   |
| SEAT BELT WARNING (MANUAL TRANS)                 | C-22                   |
| SEAT SENSOR                                      | F-21                   |
| START INTERLOCK AND BACKUP LAMP                  | B-21                   |
| STOP/LAMP                                        | D-34                   |
| TURN SIGNAL                                      | B-33                   |
| WATER TEMPERATURE                                | F-11                   |
| WINDSHIELD WIPER AND WASHER                      | C-60                   |
| WINDSHIELD WIPER AND WASHER 2 SPEED INTERMITTENT | A-63                   |
| W/S/W/ GOVERNOR                                  | C-63                   |
| REAR TAIL STOP                                   |                        |
| L.H.                                             | F-39, F-40             |
| R.H.                                             | F-37, F-38             |
| SIDE MARKERS                                     |                        |
| L.FRONT                                          | F-33                   |
| R.FRONT                                          | F-34                   |
| L.REAR                                           | F-39                   |
| R.REAR                                           | F-37                   |
| TRUNK                                            | E-45                   |
| MOTORS                                           |                        |
| BLOWER                                           | F-68                   |
| CONVERTIBLE TOP                                  | F-53                   |
| HEATER BLOWER                                    | F-72                   |
| POWER WINDOW                                     | F-76, F-77, F-79, F-80 |
| STARTER                                          | E-7                    |
| WINDSHIELD WIPER                                 | F-62                   |
| W/S WASHER PUMP                                  | E-58                   |
| NOISE SUPPRESSION CAPACITOR                      | E-1                    |
| RADIO NOISE SUPPRESSION                          | E-19                   |
| CHOKE                                            |                        |
| RADIOS                                           |                        |
| AM                                               | B-25                   |
| AM/FM/MPX                                        | B-27                   |
| AM/TAPE                                          | B-26                   |
| RADIO SPEAKERS                                   | E-25, E-26, E-27       |
| RELAYS                                           |                        |
| HEADLAMP ON WARNING                              | F-43                   |
| HEATED BACKLITE                                  | E-50                   |
| POWER WINDOW                                     | D-74                   |
| SEAT BACK LATCH                                  | C-41                   |
| STARTING MOTOR                                   | B-6                    |
| SEAT BELT WARNING BUZZER                         | C-21                   |
| SENDERS                                          |                        |
| FUEL GAUGE                                       | F-20                   |
| OIL PRESSURE                                     | F-12                   |
| WATER TEMPERATURE                                | E-10                   |

COMPONENT LOCATION CHART

|                                         |                                                    |
|-----------------------------------------|----------------------------------------------------|
| RELAY PANEL                             | ABOVE GLOVE BOX                                    |
| FUSE PANEL                              | RIGHT SIDE OF BRAKE PADAL SUPPORT                  |
| TURN SIGNAL FLASHER                     | ON RELAY PANEL                                     |
| EMERGENCY WARNING FLASHER               | TAPED TO 14401 HARNESS LEFT OF RELAY PANEL         |
| KEY WARNING AND HEADLIGHTS "ON" BUZZER  | ON RELAY PANEL                                     |
| HEADLIGHTS "ON" RELAY                   | ON RELAY PANEL                                     |
| SEAT BELT WARNING BUZZER                | ON RELAY PANEL                                     |
| AUTO. SEAT BACK RELEASE RELAY           | ON RELAY PANEL                                     |
| AUTO. SEAT BACK DIODE ASSEMBLY          | TAPED TO HARNESS ABOVE RELAY PANEL                 |
| HEATED BACKLITE RELAY                   | ON RELAY PANEL                                     |
| WINDSHIELD WIPER PAUSE CONTROL GOVERNOR | LOWER EDGE INSTRUMENT PANEL, RIGHT OF WIPER SWITCH |
| STOPLIGHT CIRCUIT BREAKER               | ON RELAY PANEL                                     |
| WINDOW SAFETY RELAY                     | ENGINE COMPT. REAR SIDE OF LEFT SHOCK TOWER        |



INDEX

|                                               |            |                                                  |                        |
|-----------------------------------------------|------------|--------------------------------------------------|------------------------|
| A/C CLUTCH SOLENOID                           | F-70       | SWITCHES                                         |                        |
| ALTERNATOR                                    | A-1        | A/C BLOWER                                       | B-69                   |
| ALTERNATOR REGULATOR                          | F-1        | BACKUP LAMP (MANUAL)                             | C-24                   |
| AMMETER                                       | A-3        | CONVERTIBLE TOP                                  | B-54                   |
| AUTOMATIC SEAT BACK LATCH SOLENOID            | E-47, E-48 | DEICING                                          | E-70                   |
| BATTERY                                       | C-5        | DOOR JAMBS                                       | B-40, C-43, C-44       |
| BLOWER MOTOR RESISTOR                         | E-69, E-71 | DUAL BRAKE WARNING                               | F-15                   |
| CIGAR LIGHTER                                 | C-32       | EMERGENCY WARNING                                | B-34                   |
| CLOCK                                         | D-31       | GLOVE BOX                                        | <del>F-44</del>        |
| CLUSTER CLOCK                                 | B-37       | HEADLAMP                                         | C-38                   |
| CONSTANT VOLTAGE UNIT                         | F-19       | HEADLAMP DIMMER                                  | C-36                   |
| DISTRIBUTORS                                  |            | HEATED BACKLITE                                  | <del>B-59</del>        |
| 6 CYLINDER 250 C.I.D.                         | D-3        | HEATER BLOWER                                    | B-71                   |
| 8 CYLINDER 302 C.I.D.                         | E-3        | HORN                                             | C-31                   |
| 8 CYLINDER 351 C.I.D.                         | F-3        | IGNITION                                         | <del>D-45</del>        |
| ELECTRIC CHOKE                                | E-5        | KEY REMINDER                                     | E-41                   |
| EMISSION SYSTEMS                              |            | MAP LAMP                                         | B-45                   |
| AMBIENT TEMP SENSOR SW                        | C-84       | MASTER CONTROL POWER                             |                        |
| E.G.R. CUTOFF SOLENOID                        | C-87       | WINDOW                                           | A-77                   |
| SPARK VACUUM MODULE SOL                       | E-87       | MODE (A/C)                                       | C-70                   |
| SPARK DELAY VALVE BYPASS SOLENOID             | E-88       | PARKING BRAKE                                    | F-46                   |
| <del>EGE CONTROL MODULE</del>                 | A-85       | POWER WINDOW                                     | E-77, E-78, E-80       |
| SPEED SENSOR                                  | C-85       | OIL PRESSURE                                     | F-13                   |
| TRANSMISSION REGULATOR SPARK CONTROL Solenoid | E-85       | SEAT BELT RETRACTORS                             |                        |
| T.R.S. SWITCH                                 | F-86       | L.H.                                             | F-22                   |
| THROTTLE POSITIONER SOL                       | C-88       | R.H.                                             | F-21                   |
| FLASHERS                                      |            | SEAT BELT WARNING (MANUAL TRANS)                 | C-22                   |
| EMERGENCY WARNING                             | E-34       | SEAT SENSOR                                      | F-21                   |
| TURN SIGNAL                                   | B-34       | START INTERLOCK AND BACKUP LAMP                  | B-21                   |
| GAUGES                                        |            | STOPLAMP                                         | D-34                   |
| ENGINE TEMPERATURE                            | F-10       | TURN SIGNAL                                      | B-33                   |
| FUEL                                          | C-20       | WATER TEMPERATURE                                | F-11                   |
| OIL PRESSURE                                  | F-12       | WINDSHIELD WIPER AND WASHER                      | C-60                   |
| TACHOMETER                                    | B-11       | WINDSHIELD WIPER AND WASHER 2 SPEED INTERMITTENT | A-63                   |
| HEATED BACKLITE                               | E-52       | W/S/W/ GOVERNOR                                  | C-63                   |
| HORNS                                         | E-31, E-32 | REAR TAIL STOP                                   |                        |
| IGNITION COIL                                 | F-6        | L.H.                                             | F-39, F-40             |
| ILLUMINATION LAMPS                            |            | R.H.                                             | F-37, F-38             |
| CIGAR                                         | F-26       | SIDE MARKERS                                     |                        |
| CLOCK                                         | D-30       | L.FRONT                                          | F-33                   |
| GAUGE                                         | D-29       | R.FRONT                                          | F-34                   |
| HEADLAMP SWITCH                               | F-27       | L.REAR                                           | F-39                   |
| HEATER SWITCH                                 | F-25       | R.REAR                                           | F-37                   |
| INSTRUMENT CLUSTER                            | F-28       | TRUNK                                            | <del>E-45</del>        |
| PRNDL                                         | E-35       | MOTORS                                           |                        |
| WINDSHIELD WASHER SWITCH                      | F-26       | BLOWER                                           | F-68                   |
| IMMERSION HEATER                              | D-55       | CONVERTIBLE TOP                                  | F-53                   |
| INDICATORS                                    |            | HEATER BLOWER                                    | F-72                   |
| ALTERNATOR WARNING                            | E-9        | POWER WINDOW                                     | F-76, F-77, F-79, F-80 |
| DUAL BRAKE WARNING                            | F-14       | STARTER                                          | E-7                    |
| ENGINE TEMP. WARNING                          | F-14       | WINDSHIELD WIPER                                 | F-62                   |
| HEATED BACKLITE ON                            | E-51       | W/S WASHER PUMP                                  | <del>E-28</del>        |
| HI BEAM                                       | B-37       | NOISE SUPPRESSION CAPICATOR                      | E-2                    |
| OIL PRESSURE                                  | F-13       | RADIO NOISE SUPPRESSION                          | E-19                   |
| PARKING BRAKE WARNING                         | C-46       | CHOKE                                            |                        |
| SEAT BELT WARNING                             | D-21       | RADIOS                                           |                        |
| TURN SIGNAL                                   |            | AM                                               | B-25                   |
| L.H.                                          | B-36       | AM/FM/MPX                                        | B-27                   |
| R.H.                                          | C-36       | AM/TAPE                                          | B-26                   |
| KEY REMINDER BUZZER                           | C-41       | RADIO SPEAKERS                                   | E-25, E-26, C-27       |
| JUNCTION BLOCK                                | C-3        | RELAYS                                           |                        |
| LAMPS                                         |            | HEADLAMP ON WARNING                              | <del>F-43</del>        |
| BACKUP                                        |            | HEATED BACKLITE                                  | <del>E-30</del>        |
| L.H.                                          | F-23       | POWER WINDOW                                     | D-74                   |
| R.H.                                          | F-24       | SEAT BACK LATCH                                  | <del>C-42</del>        |
| COURTESY                                      | E-42, E-43 | STARTING MOTOR                                   | <del>B-4</del>         |
| DOVE                                          | D-40       | SEAT BELT WARNING BUZZER                         | C-21                   |
| ENGINE COMPARTMENT                            | C-7        | SENDERS                                          |                        |
| GLOVE BOX                                     | E-40       | FUEL GAUGE                                       | F-20                   |
| HEADLAMPS                                     |            | OIL PRESSURE                                     | F-12                   |
| L.H.                                          | E-37       | WATER TEMPERATURE                                | E-10                   |
| R.H.                                          | E-36       |                                                  |                        |
| LICENSE                                       | F-40       |                                                  |                        |
| MAP                                           | B-45       |                                                  |                        |
| PARK AND TURN FRONT                           |            |                                                  |                        |
| L.H.                                          | F-33       |                                                  |                        |
| R.H.                                          | F-35       |                                                  |                        |

COMPONENT LOCATION CHART

|                                         |                                                    |
|-----------------------------------------|----------------------------------------------------|
| RELAY PANEL                             | ABOVE GLOVE BOX                                    |
| FUSE PANEL                              | RIGHT SIDE OF BRAKE PADAL SUPPORT                  |
| TURN SIGNAL FLASHER                     | ON RELAY PANEL                                     |
| EMERGENCY WARNING FLASHER               | TAPED TO 14401 HARNESS LEFT OF RELAY PANEL         |
| KEY WARNING AND HEADLIGHTS "ON" BUZZER  | ON RELAY PANEL                                     |
| HEADLIGHTS "ON" RELAY                   | ON RELAY PANEL                                     |
| SEAT BELT WARNING BUZZER                | ON RELAY PANEL                                     |
| AUTO. SEAT BACK RELEASE RELAY           | ON RELAY PANEL                                     |
| AUTO. SEAT BACK DIODE ASSEMBLY          | TAPED TO HARNESS ABOVE RELAY PANEL                 |
| HEATED BACKLITE RELAY                   | ON RELAY PANEL                                     |
| WINDSHIELD WIPER PAUSE CONTROL GOVERNOR | LOWER EDGE INSTRUMENT PANEL, RIGHT OF WIPER SWITCH |
| STOPLIGHT CIRCUIT BREAKER               | ON RELAY PANEL                                     |
| WINDOW SAFETY RELAY                     | ENGINE COMPT. REAR SIDE OF LEFT SHOCK TOWER        |

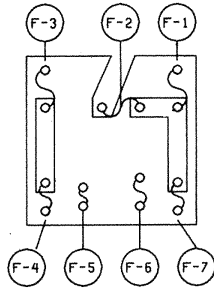
1973 MUSTANG

PAGE 1 OF 7

INDEX

Mark Corp  
Jul 72 365-163e

7-1-72



FUSE PANEL LOCATION:  
L.H. SIDE OF DASH PANEL

F-1 (15 AMP) W/S WASHER SWITCH, RADIO, BACKUP LAMP SWITCH, MANUAL START INTERLOCK & BACKUP LAMP SWITCH, T/S FLASHER

F-2 (20 AMP) PARKING BRAKE WARNING LAMP, CONVERTIBLE TOP SWITCH

F-3 (20 AMP) CIGAR LIGHTER, HORN SWITCH

F-4 (14AMP) CLOCK, COURTESY LAMPS, MAP LAMP, GLOVE BOX LAMP, LUGGAGE COMPARTMENT LAMP

F-5 (4 AMP) INSTRUMENT PANEL LAMPS

F-6 (14 AMP) TACHOMETER, IGNITION SWITCH, WARNING LAMPS, SEAT BELT WARNING BUZZER, SEAT BELT WARNING LAMP, AMBIENT TEMPERATURE SENSOR SWITCH, E.G.R. CONTROL MODULE, E.G.R. CUTOFF MODULE, THROTTLE POSITION SOLENOID

F-7 (14 AMP) HEATER  
NOTE: 30 AMP C/B REQUIRED FOR A/C

WIRING COLOR KEY  
PRIMARY COLORS

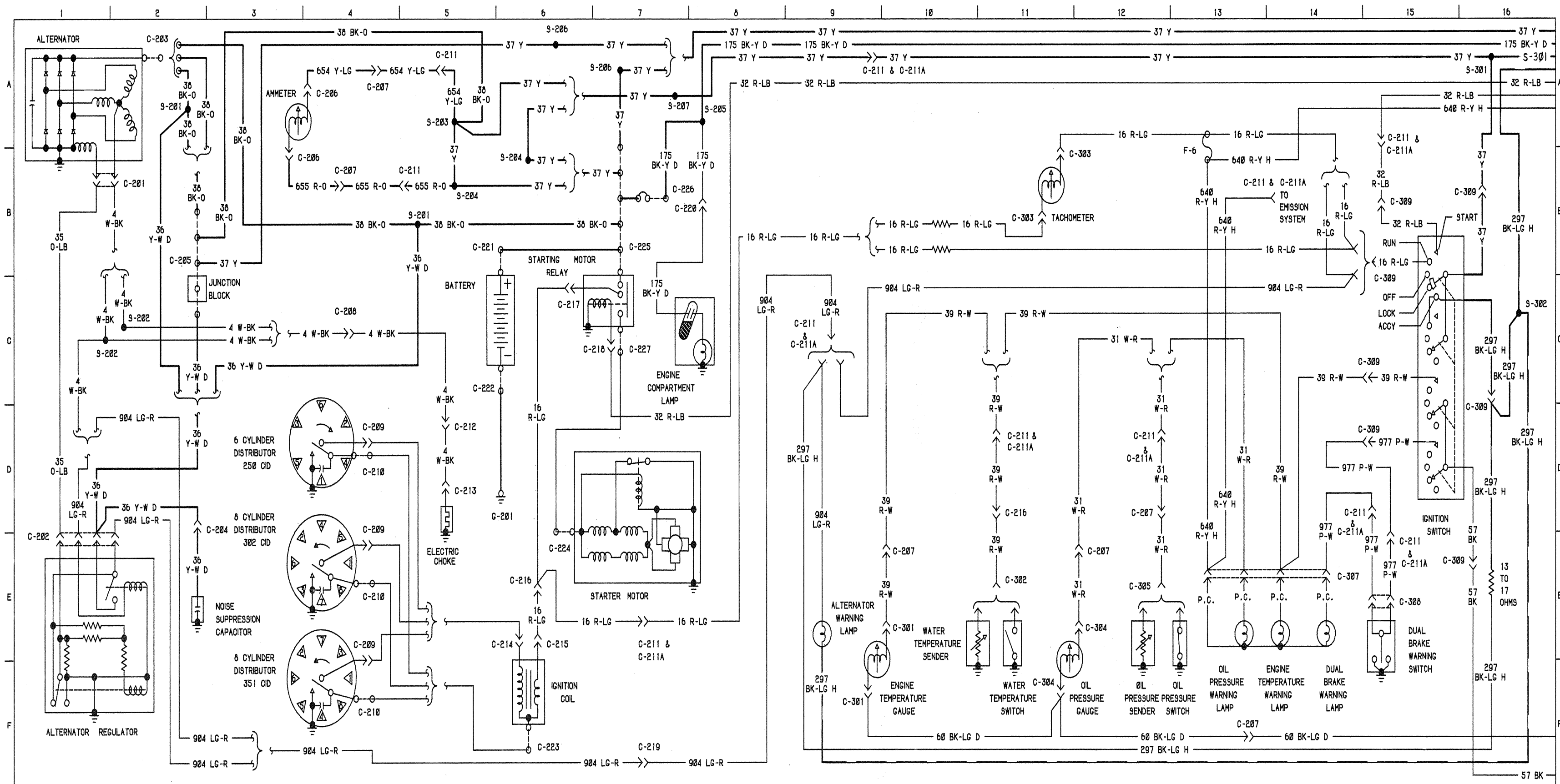
|             |     |
|-------------|-----|
| BLACK       | BK  |
| BROWN       | BR  |
| TAN         | T   |
| RED         | R   |
| PINK        | PK  |
| ORANGE      | O   |
| YELLOW      | Y   |
| DARK GREEN  | DG  |
| LIGHT GREEN | LG  |
| DARK BLUE   | DB  |
| LIGHT BLUE  | LB  |
| PURPLE      | P   |
| GRAY        | GY  |
| WHITE       | W   |
| HASH        | (H) |
| DOT         | (D) |

STRIPE IS UNDERSTOOD  
AND HAS NO COLOR KEY

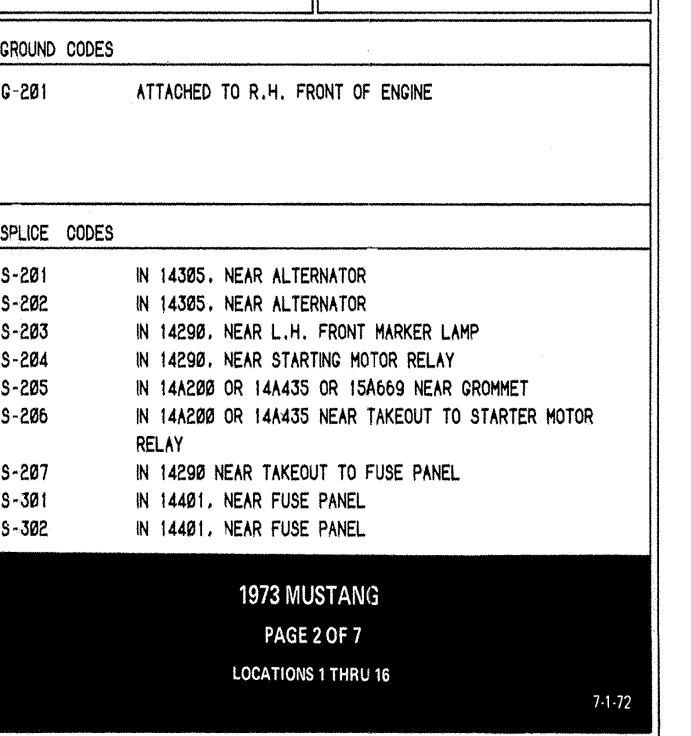
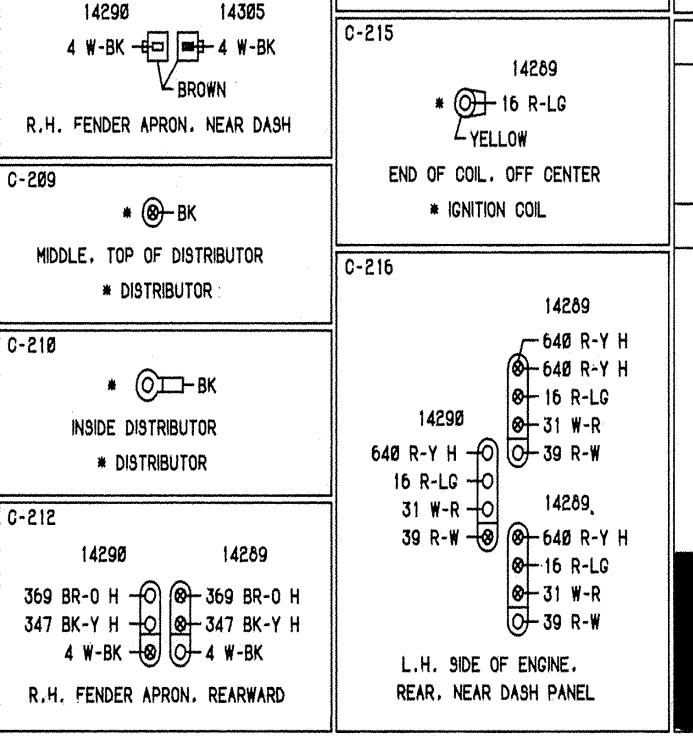
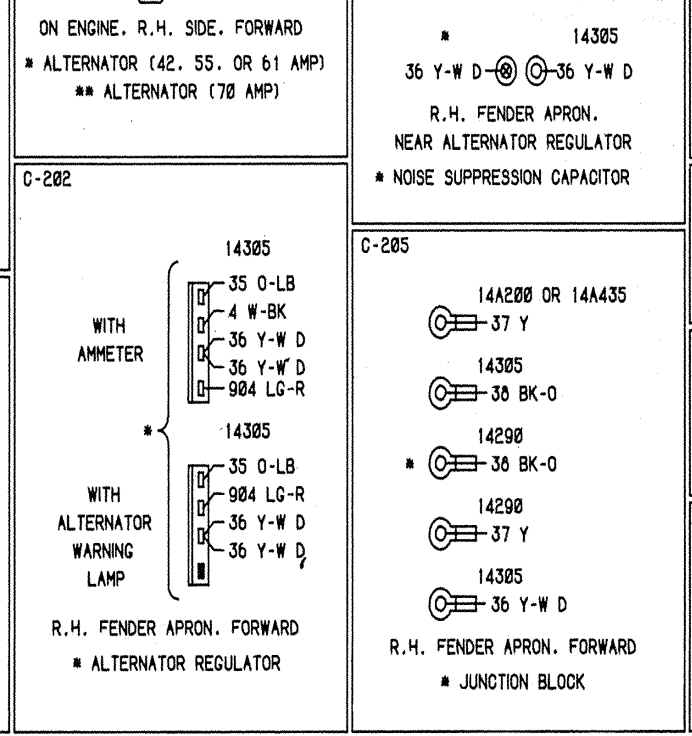
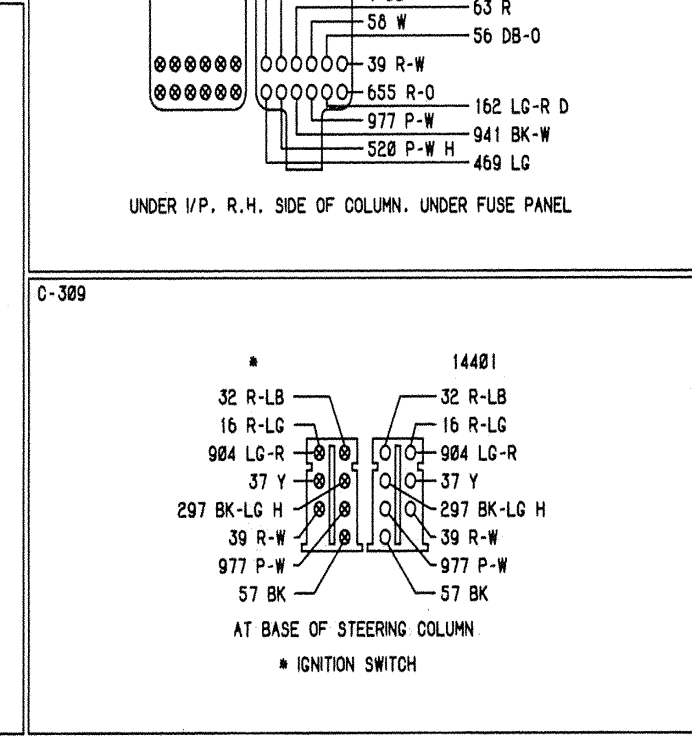
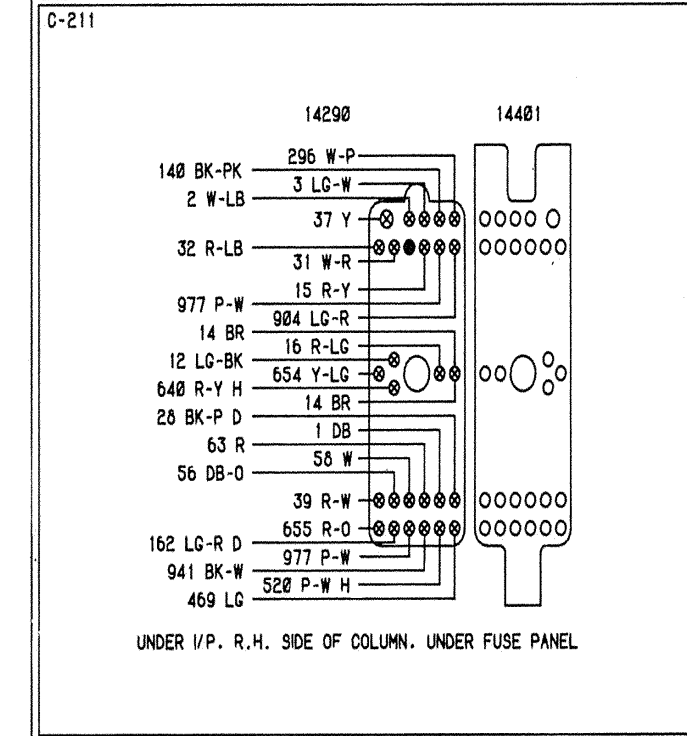
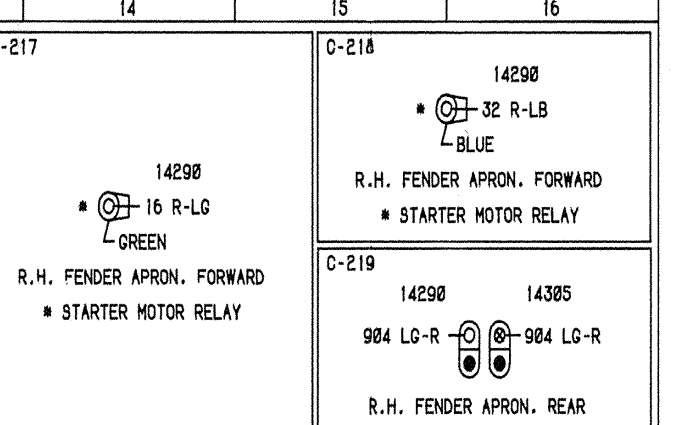
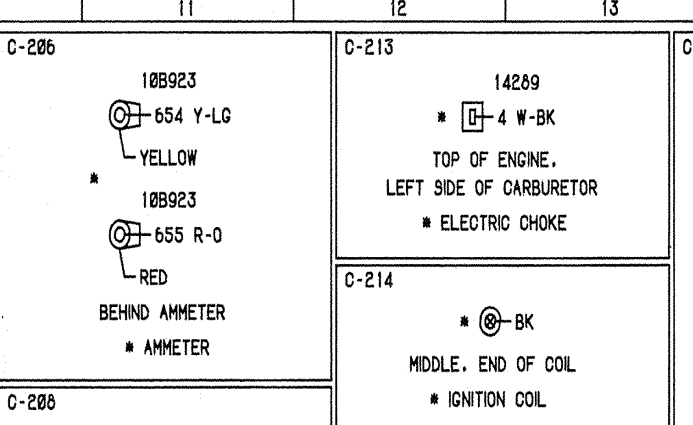
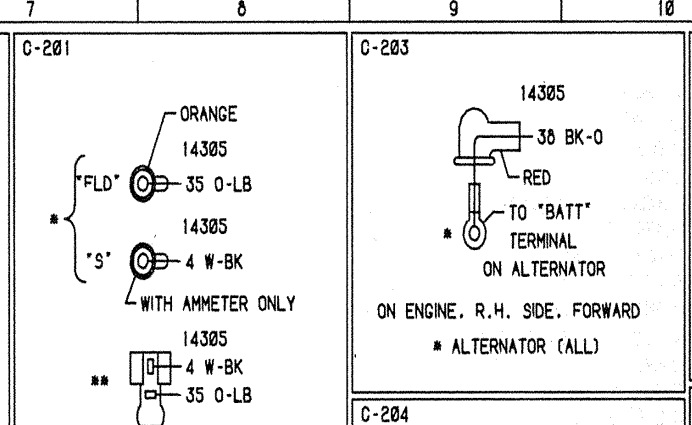
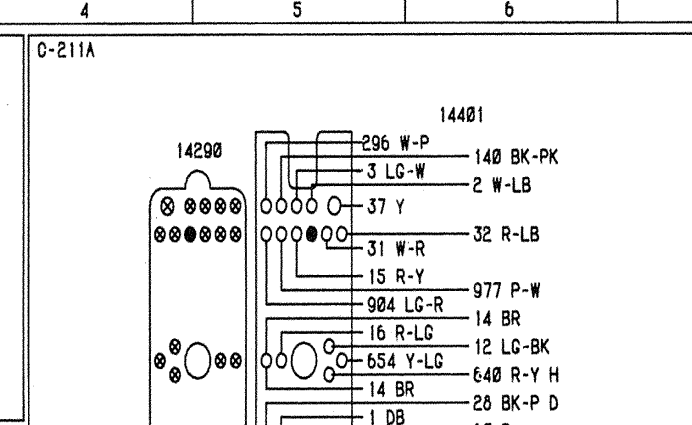
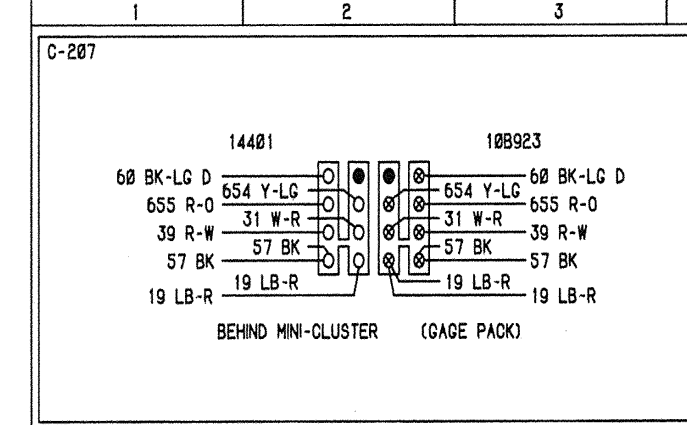
HEAVY SOLID LINE REPRESENTS BATTERY FEED  
HEAVY DASHED LINE REPRESENTS ACCESSORY FEED

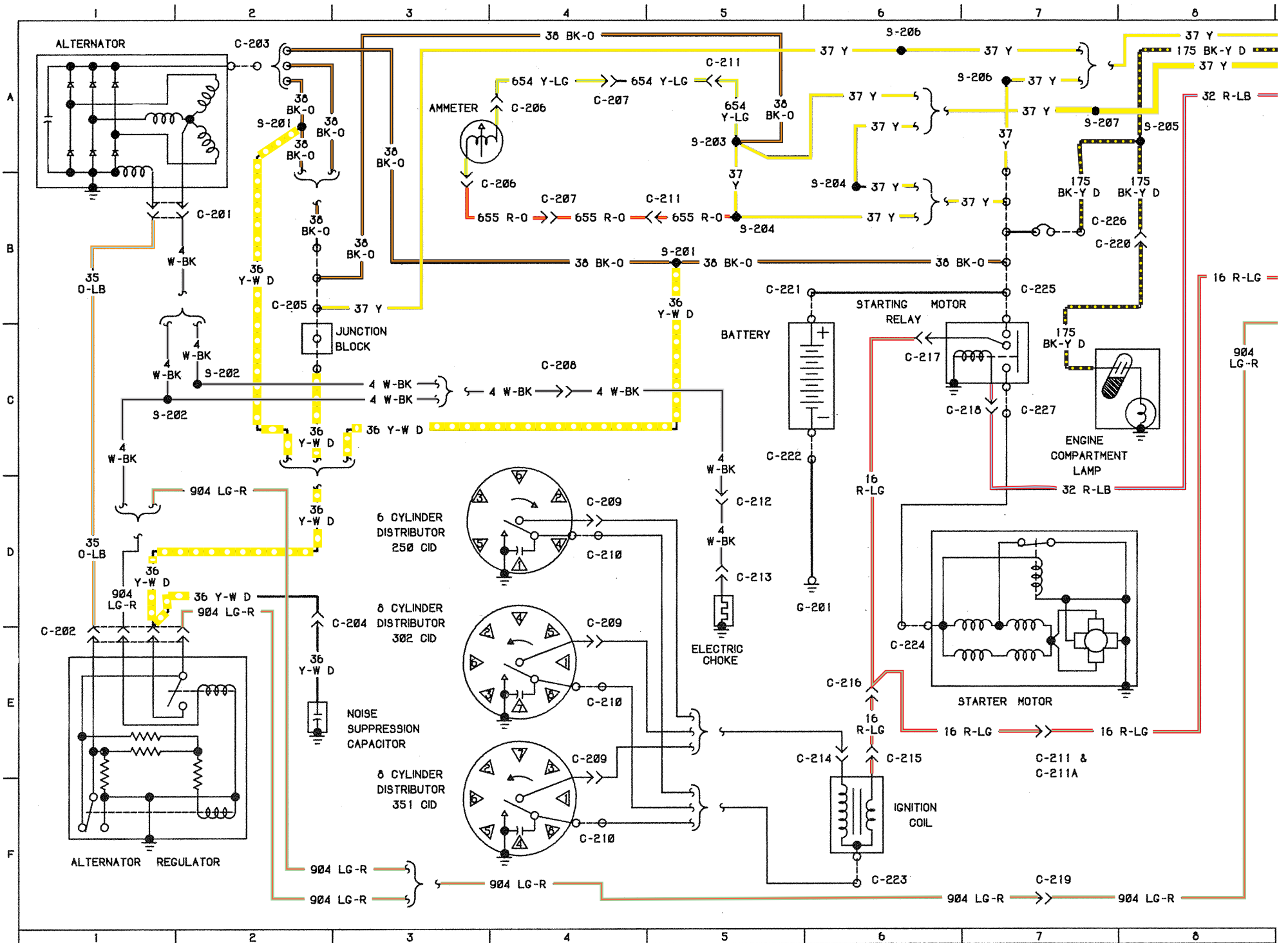
BULB CHART

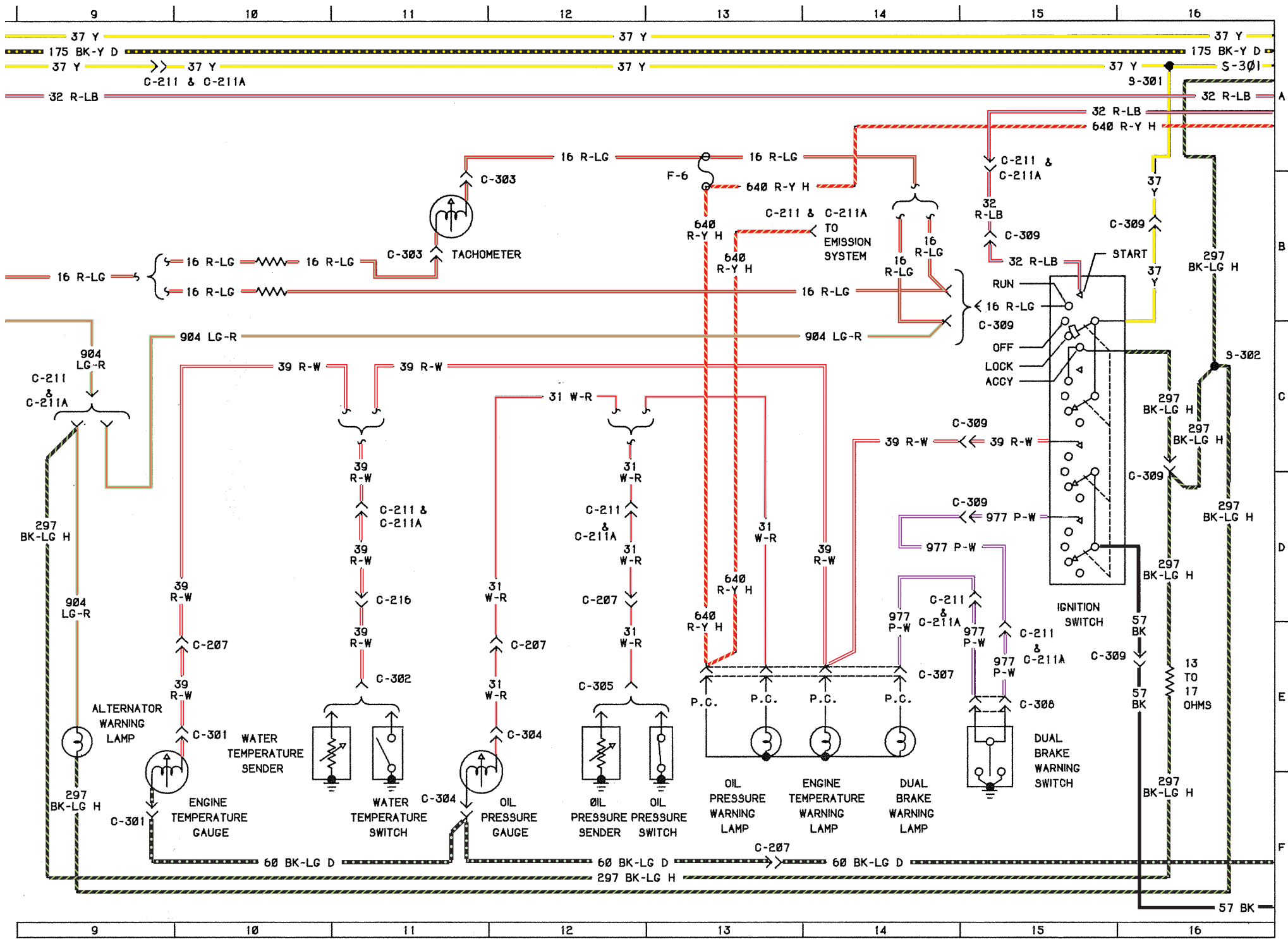
| LAMP DESCRIPTION | CANDLEPOWER OR WATTAGE | TRADE NUMBER |
|------------------|------------------------|--------------|
| HEADLAMP         |                        |              |
| HI/LO BEAM       | 50-60                  | 6014         |
| FRONT PARK/TURN  | 3-32                   | 1157NA       |
| TAIL/STOP/TURN   | 3-32                   | 1157         |
| BACK-UP          | 32                     | 1156         |
| SIDE MARKER      |                        |              |
| FRONT            | 2                      | 194          |
| REAR             | 2                      | 194          |
| LICENSE PLATE    | 4                      | 97           |
| COURTESY         |                        |              |
| ENGINE COMPT     | 6                      | 631          |
| DOVE             | 12                     | 561          |
| GLOVE BOX        | 2                      | 1895         |
| INSTR PANEL      | 6                      | 631          |
| LUGGAGE COMPT    | 6                      | 631          |
| MAP              | 6                      | 212          |
| ILLUMINATION     |                        |              |
| AUX CLUSTER      | 2                      | 194          |
| CIGAR LIGHTER    | 2                      | 1895         |
| CLOCK            | 2                      | 194          |
| CLUSTER          | 2                      | 194          |
| HEADLAMP SWITCH  | 2                      | 1895         |
| HEATER CONTROL   | .7                     | 1445         |
| PRNDL            | .7                     | 1445         |
| RADIO            | 2                      | 1893         |
| WIPER SWITCH     | 2                      | 1895         |
| WARNING          |                        |              |
| ALT              | 2                      | 194          |
| BRAKE            | 2                      | 194          |
| OIL              | 2                      | 194          |
| PARKING BRAKE    | 2                      | 256          |
| SEAT BELT        |                        | PIA          |
| TEMP             | 2                      | 194          |
| INDICATOR        |                        |              |
| AM-FM STEREO     | .75                    | 1892         |
| HI-BEAM          | 2                      | 194          |
| TURN             | 2                      | 194          |



|       |                                                                                                                                                                          |       |                                                                                                                                                                                                                                                                                                              |
|-------|--------------------------------------------------------------------------------------------------------------------------------------------------------------------------|-------|--------------------------------------------------------------------------------------------------------------------------------------------------------------------------------------------------------------------------------------------------------------------------------------------------------------|
| C-220 | 14A2200<br>OR 15A669<br>ENGINE COMPARTMENT, NEAR DASH                                                                                                                    | C-304 | 108923<br>31 W-R<br>108923<br>60 BK-LG D<br>60 BK-LG D<br>BEHIND OIL PRESSURE GAUGE<br>OIL PRESSURE GAUGE                                                                                                                                                                                                    |
| C-221 | RED<br>POSITIVE TERMINAL OF BATTERY<br>BATTERY                                                                                                                           | C-305 | 14209<br>31 W-R<br>250 CID ENGINE:<br>L.H. SIDE OF ENGINE<br>NEAR BELL HOUSING                                                                                                                                                                                                                               |
| C-222 | BK<br>NEGATIVE TERMINAL OF BATTERY<br>BATTERY                                                                                                                            | C-223 | 302 CID ENGINE<br>FORWARD L.H. SIDE OF ENGINE<br>REARWARD OF FUEL PUMP                                                                                                                                                                                                                                       |
| C-223 | BK<br>END OF COIL, OFF CENTER<br>IGNITION COIL                                                                                                                           | C-224 | 351 CID ENGINE<br>CENTER, REAR, TOP OF ENGINE<br>OIL PRESSURE SENDER (WITH GAUGES)<br>OIL PRESSURE SWITCH (WITHOUT GAUGES)                                                                                                                                                                                   |
| C-224 | 14431<br>BK<br>R.H. SIDE OF ENGINE,<br>LOW, REARWARD<br>STARTER MOTOR                                                                                                    | C-225 | 14401 (WITH GAUGES)<br>19 LB-R<br>2 W-LB<br>57 BK<br>640 R-Y H<br>640 R-Y H<br>3 LG-W<br>3 LG-W<br>12 LG-BK<br>46<br>297 BK-LG H<br>57 BK<br>640 R-Y H<br>39 R-W<br>54 LG-Y<br>54 LG-Y<br>29 Y-W<br>19 LB-R<br>12 LG-BK<br>46<br>297 BK-LG H<br>57 BK<br>640 R-Y H<br>39 R-W<br>54 LG-Y<br>54 LG-Y<br>31 W-R |
| C-225 | BATTERY FEED<br>RED<br>14A2200 OR 14A435<br>37 Y<br>14305<br>36 BK-O<br>14290<br>37 Y<br>14290<br>37 Y                                                                   | C-226 | 14401 (WITHOUT GAUGES)<br>29 Y-W<br>19 LB-R<br>2 W-LB<br>3 LG-W<br>46<br>297 BK-LG H<br>57 BK<br>640 R-Y H<br>39 R-W<br>54 LG-Y<br>54 LG-Y<br>31 W-R                                                                                                                                                         |
| C-226 | 14A2200 OR 15A669<br>175 BK-Y D<br>R.H. FENDER APRON, FORWARD<br>STARTER MOTOR RELAY                                                                                     | C-227 | 14290<br>977 P-W<br>14431<br>BK<br>L.H. REAR CORNER OF ENGINE<br>COMPARTMENT ON BRAKE SWITCH<br>DUAL BRAKE WARNING SWITCH                                                                                                                                                                                    |
| C-227 | 14431<br>BK<br>R.H. FENDER APRON, FORWARD<br>ON TERMINAL 'S'<br>STARTER MOTOR RELAY                                                                                      | C-228 | 14290<br>32 R-LB<br>BLUE<br>R.H. FENDER APRON, FORWARD<br>STARTER MOTOR RELAY                                                                                                                                                                                                                                |
| C-228 | 14290<br>32 R-LB<br>BEHIND ENGINE TEMPERATURE<br>GAUGE IN CLUSTER<br>ENGINE TEMPERATURE GAUGE                                                                            | C-229 | 14290<br>39 R-W<br>108923<br>60 BK-LG D<br>BEHIND ENGINE TEMPERATURE<br>GAUGE IN CLUSTER<br>ENGINE TEMPERATURE GAUGE                                                                                                                                                                                         |
| C-229 | 14290<br>39 R-W<br>250 CID ENGINE:<br>ON ENGINE, L.H. SIDE, REAR,<br>JUST BELOW VALVE COVER                                                                              | C-230 | 14290<br>39 R-W<br>302 CID ENGINE<br>ON ENGINE, MIDDLE TOP, FORWARD,<br>NEAR DISTRIBUTOR                                                                                                                                                                                                                     |
| C-230 | 14290<br>39 R-W<br>351 CID ENGINE<br>ON ENGINE, BEHIND<br>FAN BELT PULLEY<br>ENGINE TEMPERATURE SENDER<br>(WITH GAUGES)<br>ENGINE TEMPERATURE SWITCH<br>(WITHOUT GAUGES) | C-231 | 14290<br>39 R-W<br>C-303                                                                                                                                                                                                                                                                                     |
| C-231 | 14290<br>39 R-W<br>C-303                                                                                                                                                 | C-232 | 14290<br>39 R-W<br>C-303                                                                                                                                                                                                                                                                                     |
| C-232 | 14290<br>39 R-W<br>C-303                                                                                                                                                 | C-233 | 14290<br>39 R-W<br>C-303                                                                                                                                                                                                                                                                                     |
| C-233 | 14290<br>39 R-W<br>C-303                                                                                                                                                 | C-234 | 14290<br>39 R-W<br>C-303                                                                                                                                                                                                                                                                                     |
| C-234 | 14290<br>39 R-W<br>C-303                                                                                                                                                 | C-235 | 14290<br>39 R-W<br>C-303                                                                                                                                                                                                                                                                                     |
| C-235 | 14290<br>39 R-W<br>C-303                                                                                                                                                 | C-236 | 14290<br>39 R-W<br>C-303                                                                                                                                                                                                                                                                                     |
| C-236 | 14290<br>39 R-W<br>C-303                                                                                                                                                 | C-237 | 14290<br>39 R-W<br>C-303                                                                                                                                                                                                                                                                                     |
| C-237 | 14290<br>39 R-W<br>C-303                                                                                                                                                 | C-238 | 14290<br>39 R-W<br>C-303                                                                                                                                                                                                                                                                                     |
| C-238 | 14290<br>39 R-W<br>C-303                                                                                                                                                 | C-239 | 14290<br>39 R-W<br>C-303                                                                                                                                                                                                                                                                                     |
| C-239 | 14290<br>39 R-W<br>C-303                                                                                                                                                 | C-240 | 14290<br>39 R-W<br>C-303                                                                                                                                                                                                                                                                                     |
| C-240 | 14290<br>39 R-W<br>C-303                                                                                                                                                 | C-241 | 14290<br>39 R-W<br>C-303                                                                                                                                                                                                                                                                                     |
| C-241 | 14290<br>39 R-W<br>C-303                                                                                                                                                 | C-242 | 14290<br>39 R-W<br>C-303                                                                                                                                                                                                                                                                                     |
| C-242 | 14290<br>39 R-W<br>C-303                                                                                                                                                 | C-243 | 14290<br>39 R-W<br>C-303                                                                                                                                                                                                                                                                                     |
| C-243 | 14290<br>39 R-W<br>C-303                                                                                                                                                 | C-244 | 14290<br>39 R-W<br>C-303                                                                                                                                                                                                                                                                                     |
| C-244 | 14290<br>39 R-W<br>C-303                                                                                                                                                 | C-245 | 14290<br>39 R-W<br>C-303                                                                                                                                                                                                                                                                                     |
| C-245 | 14290<br>39 R-W<br>C-303                                                                                                                                                 | C-246 | 14290<br>39 R-W<br>C-303                                                                                                                                                                                                                                                                                     |
| C-246 | 14290<br>39 R-W<br>C-303                                                                                                                                                 | C-247 | 14290<br>39 R-W<br>C-303                                                                                                                                                                                                                                                                                     |
| C-247 | 14290<br>39 R-W<br>C-303                                                                                                                                                 | C-248 | 14290<br>39 R-W<br>C-303                                                                                                                                                                                                                                                                                     |
| C-248 | 14290<br>39 R-W<br>C-303                                                                                                                                                 | C-249 | 14290<br>39 R-W<br>C-303                                                                                                                                                                                                                                                                                     |
| C-249 | 14290<br>39 R-W<br>C-303                                                                                                                                                 | C-250 | 14290<br>39 R-W<br>C-303                                                                                                                                                                                                                                                                                     |
| C-250 | 14290<br>39 R-W<br>C-303                                                                                                                                                 | C-251 | 14290<br>39 R-W<br>C-303                                                                                                                                                                                                                                                                                     |
| C-251 | 14290<br>39 R-W<br>C-303                                                                                                                                                 | C-252 | 14290<br>39 R-W<br>C-303                                                                                                                                                                                                                                                                                     |
| C-252 | 14290<br>39 R-W<br>C-303                                                                                                                                                 | C-253 | 14290<br>39 R-W<br>C-303                                                                                                                                                                                                                                                                                     |
| C-253 | 14290<br>39 R-W<br>C-303                                                                                                                                                 | C-254 | 14290<br>39 R-W<br>C-303                                                                                                                                                                                                                                                                                     |
| C-254 | 14290<br>39 R-W<br>C-303                                                                                                                                                 | C-255 | 14290<br>39 R-W<br>C-303                                                                                                                                                                                                                                                                                     |
| C-255 | 14290<br>39 R-W<br>C-303                                                                                                                                                 | C-256 | 14290<br>39 R-W<br>C-303                                                                                                                                                                                                                                                                                     |
| C-256 | 14290<br>39 R-W<br>C-303                                                                                                                                                 | C-257 | 14290<br>39 R-W<br>C-303                                                                                                                                                                                                                                                                                     |
| C-257 | 14290<br>39 R-W<br>C-303                                                                                                                                                 | C-258 | 14290<br>39 R-W<br>C-303                                                                                                                                                                                                                                                                                     |
| C-258 | 14290<br>39 R-W<br>C-303                                                                                                                                                 | C-259 | 14290<br>39 R-W<br>C-303                                                                                                                                                                                                                                                                                     |
| C-259 | 14290<br>39 R-W<br>C-303                                                                                                                                                 | C-260 | 14290<br>39 R-W<br>C-303                                                                                                                                                                                                                                                                                     |
| C-260 | 14290<br>39 R-W<br>C-303                                                                                                                                                 | C-261 | 14290<br>39 R-W<br>C-303                                                                                                                                                                                                                                                                                     |
| C-261 | 14290<br>39 R-W<br>C-303                                                                                                                                                 | C-262 | 14290<br>39 R-W<br>C-303                                                                                                                                                                                                                                                                                     |
| C-262 | 14290<br>39 R-W<br>C-303                                                                                                                                                 | C-263 | 14290<br>39 R-W<br>C-303                                                                                                                                                                                                                                                                                     |
| C-263 | 14290<br>39 R-W<br>C-303                                                                                                                                                 | C-264 | 14290<br>39 R-W<br>C-303                                                                                                                                                                                                                                                                                     |
| C-264 | 14290<br>39 R-W<br>C-303                                                                                                                                                 | C-265 | 14290<br>39 R-W<br>C-303                                                                                                                                                                                                                                                                                     |
| C-265 | 14290<br>39 R-W<br>C-303                                                                                                                                                 | C-266 | 14290<br>39 R-W<br>C-303                                                                                                                                                                                                                                                                                     |
| C-266 | 14290<br>39 R-W<br>C-303                                                                                                                                                 | C-267 | 14290<br>39 R-W<br>C-303                                                                                                                                                                                                                                                                                     |
| C-267 | 14290<br>39 R-W<br>C-303                                                                                                                                                 | C-268 | 14290<br>39 R-W<br>C-303                                                                                                                                                                                                                                                                                     |
| C-268 | 14290<br>39 R-W<br>C-303                                                                                                                                                 | C-269 | 14290<br>39 R-W<br>C-303                                                                                                                                                                                                                                                                                     |
| C-269 | 14290<br>39 R-W<br>C-303                                                                                                                                                 | C-270 | 14290<br>39 R-W<br>C-303                                                                                                                                                                                                                                                                                     |
| C-270 | 14290<br>39 R-W<br>C-303                                                                                                                                                 | C-271 | 14290<br>39 R-W<br>C-303                                                                                                                                                                                                                                                                                     |
| C-271 | 14290<br>39 R-W<br>C-303                                                                                                                                                 | C-272 | 14290<br>39 R-W<br>C-303                                                                                                                                                                                                                                                                                     |
| C-272 | 14290<br>39 R-W<br>C-303                                                                                                                                                 | C-273 | 14290<br>39 R-W<br>C-303                                                                                                                                                                                                                                                                                     |
| C-273 | 14290<br>39 R-W<br>C-303                                                                                                                                                 | C-274 | 14290<br>39 R-W<br>C-303                                                                                                                                                                                                                                                                                     |
| C-274 | 14290<br>39 R-W<br>C-303                                                                                                                                                 | C-275 | 14290<br>39 R-W<br>C-303                                                                                                                                                                                                                                                                                     |
| C-275 | 14290<br>39 R-W<br>C-303                                                                                                                                                 | C-276 | 14290<br>39 R-W<br>C-303                                                                                                                                                                                                                                                                                     |
| C-276 | 14290<br>39 R-W<br>C-303                                                                                                                                                 | C-277 | 14290<br>39 R-W<br>C-303                                                                                                                                                                                                                                                                                     |
| C-277 | 14290<br>39 R-W<br>C-303                                                                                                                                                 | C-278 | 14290<br>39 R-W<br>C-303                                                                                                                                                                                                                                                                                     |
| C-278 | 14290<br>39 R-W<br>C-303                                                                                                                                                 | C-279 | 14290<br>39 R-W<br>C-303                                                                                                                                                                                                                                                                                     |
| C-279 | 14290<br>39 R-W<br>C-303                                                                                                                                                 | C-280 | 14290<br>39 R-W<br>C-303                                                                                                                                                                                                                                                                                     |
| C-280 | 14290<br>39 R-W<br>C-303                                                                                                                                                 | C-281 | 14290<br>39 R-W<br>C-303                                                                                                                                                                                                                                                                                     |
| C-281 | 14290<br>39 R-W<br>C-303                                                                                                                                                 | C-282 | 14290<br>39 R-W<br>C-303                                                                                                                                                                                                                                                                                     |
| C-282 | 14290<br>39 R-W<br>C-303                                                                                                                                                 | C-283 | 14290<br>39 R-W<br>C-303                                                                                                                                                                                                                                                                                     |
| C-283 | 14290<br>39 R-W<br>C-303                                                                                                                                                 | C-284 | 14290<br>39 R-W<br>C-303                                                                                                                                                                                                                                                                                     |
| C-284 | 14290<br>39 R-W<br>C-303                                                                                                                                                 | C-285 | 14290<br>39 R-W<br>C-303                                                                                                                                                                                                                                                                                     |
| C-285 | 14290<br>39 R-W<br>C-303                                                                                                                                                 | C-286 | 14290<br>39 R-W<br>C-303                                                                                                                                                                                                                                                                                     |
| C-286 | 14290<br>39 R-W<br>C-303                                                                                                                                                 | C-287 | 14290<br>39 R-W<br>C-303                                                                                                                                                                                                                                                                                     |
| C-287 | 14290<br>39 R-W<br>C-303                                                                                                                                                 | C-288 | 14290<br>39 R-W<br>C-303                                                                                                                                                                                                                                                                                     |
| C-288 | 14290<br>39 R-W<br>C-303                                                                                                                                                 | C-289 | 14290<br>39 R-W<br>C-303                                                                                                                                                                                                                                                                                     |
| C-289 | 14290<br>39 R-W<br>C-303                                                                                                                                                 | C-290 | 14290<br>39 R-W<br>C-303                                                                                                                                                                                                                                                                                     |
| C-290 | 14290<br>39 R-W<br>C-303                                                                                                                                                 | C-291 | 14290<br>39 R-W<br>C-303                                                                                                                                                                                                                                                                                     |
| C-291 | 14290<br>39 R-W<br>C-303                                                                                                                                                 | C-292 | 14290<br>39 R-W<br>C-303                                                                                                                                                                                                                                                                                     |
| C-292 | 14290<br>39 R-W<br>C-303                                                                                                                                                 | C-293 | 14290<br>39 R-W<br>C-303                                                                                                                                                                                                                                                                                     |
| C-293 | 14290<br>39 R-W<br>C-303                                                                                                                                                 | C-294 | 14290<br>39 R-W<br>C-303                                                                                                                                                                                                                                                                                     |
| C-294 | 14290<br>39 R-W<br>C-303                                                                                                                                                 | C-295 | 14290<br>39 R-W<br>C-303                                                                                                                                                                                                                                                                                     |
| C-295 | 14290<br>39 R-W<br>C-303                                                                                                                                                 | C-296 | 14290<br>39 R-W<br>C-303                                                                                                                                                                                                                                                                                     |
| C-296 | 14290<br>39 R-W<br>C-303                                                                                                                                                 | C-297 | 14290<br>39 R-W<br>C-303                                                                                                                                                                                                                                                                                     |
| C-297 | 14290<br>39 R-W<br>C-303                                                                                                                                                 | C-298 | 14290<br>39 R-W<br>C-303                                                                                                                                                                                                                                                                                     |
| C-298 | 14290<br>39 R-W<br>C-303                                                                                                                                                 | C-299 | 14290<br>39 R-W<br>C-303                                                                                                                                                                                                                                                                                     |
| C-299 | 14290<br>39 R-W<br>C-303                                                                                                                                                 | C-300 | 14290<br>39 R-W<br>C-303                                                                                                                                                                                                                                                                                     |
| C-300 | 14290<br>39 R-W<br>C-303                                                                                                                                                 | C-301 | 14290<br>39 R-W<br>C-303                                                                                                                                                                                                                                                                                     |
| C-301 | 14290<br>39 R-W<br>C-303                                                                                                                                                 | C-302 | 14290<br>39 R-W<br>C-303                                                                                                                                                                                                                                                                                     |
| C-302 | 14290<br>39 R-W<br>C-303                                                                                                                                                 | C-303 | 14290<br>39 R-W<br>C-303                                                                                                                                                                                                                                                                                     |
| C-303 | 14290<br>39 R-W<br>C-303                                                                                                                                                 |       |                                                                                                                                                                                                                                                                                                              |



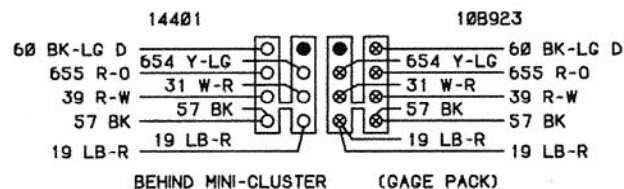




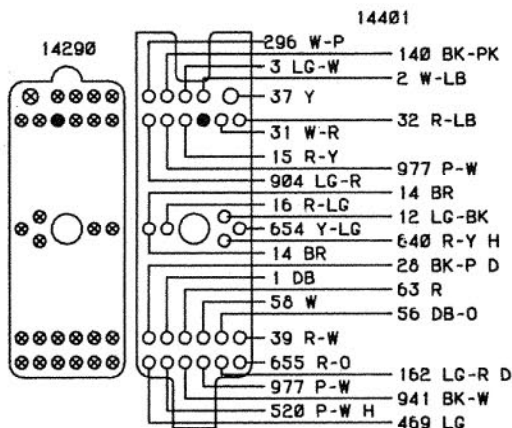




C-207

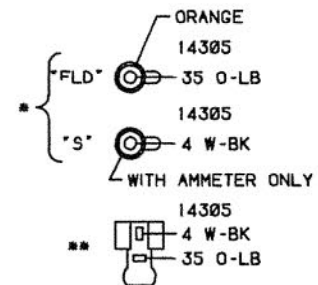


C-211A



UNDER I/P. R.H. SIDE OF COLUMN. UNDER FUSE PANEL

C-201

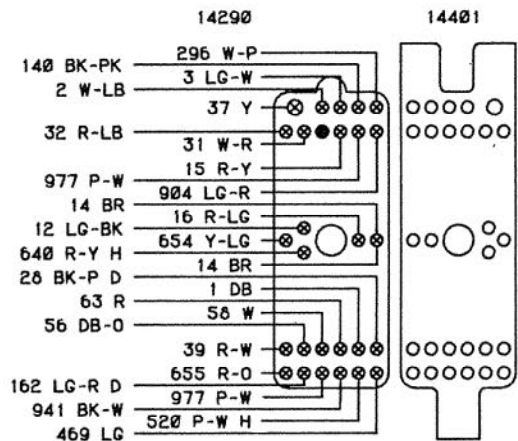


ON ENGINE. R.H. SIDE. FORWARD

\* ALTERNATOR (42, 55, OR 61 AMP)

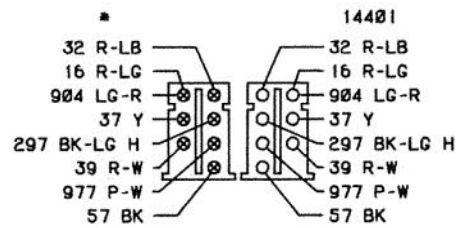
\*\* ALTERNATOR (70 AMP)

C-211



UNDER I/P. R.H. SIDE OF COLUMN. UNDER FUSE PANEL

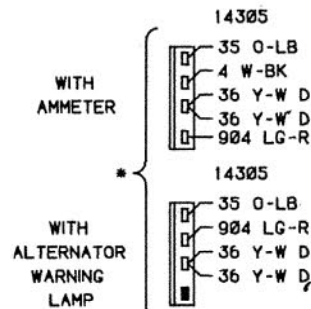
C-309



AT BASE OF STEERING COLUMN

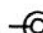

\* IGNITION SWITCH

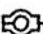
C-202




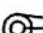
R.H. FENDER APRON. FORWARD

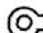
\* ALTERNATOR REGULATOR






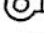





C-220  
 14A200  
 15702 OR 15A669  
 175 BK-Y D   175 BK-Y D  
 ENGINE COMPARTMENT, NEAR DASH

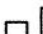
C-221  
 \*  RED  
 POSITIVE TERMINAL OF BATTERY  
 \* BATTERY


C-222  
 \*  BK  
 NEGATIVE TERMINAL OF BATTERY  
 \* BATTERY



C-223  
 \*  BK  
 END OF COIL, OFF CENTER  
 \* IGNITION COIL


C-224  
 14431  
 \*  BK  
 R.H. SIDE OF ENGINE,  
 LOW, REARWARD  
 \* STARTER MOTOR


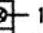

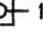
C-225  
 BATTERY FEED  
 RED  
 14A200 OR 14A435  
 37 Y  
 14305  
 38 BK-0  
 \*  14290  
 37 Y  
 14290  
 37 Y  
 20 AMP CIRCUIT BREAKER  
 R.H. FENDER APRON, FORWARD  
 \* STARTER MOTOR RELAY




C-226  
 14A200 OR 15A669  
 \*  175 BK-Y D  
 R.H. FENDER APRON AT STARTER  
 MOTOR RELAY OR JUNCTION BLOCK  
 \* CIRCUIT BREAKER (20 AMP)

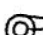
C-227  
 14431  
 \*  BK  
 R.H. FENDER APRON, FORWARD  
 ON TERMINAL "S"  
 \* STARTER MOTOR RELAY



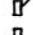
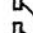
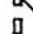
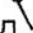
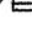
C-301  
 10B923  
 39 R-W  
 \* 10B923  
 60 BK-LG D  
 BEHIND ENGINE TEMPERATURE  
 GAUGE IN CLUSTER  
 \* ENGINE TEMPERATURE GAUGE



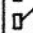
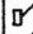
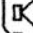



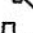
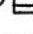
C-302  
 14289  
 \*  39 R-W  
 250 CID ENGINE:  
 ON ENGINE, L.H. SIDE, REAR,  
 JUST BELOW VALVE COVER  
 302 CID ENGINE  
 ON ENGINE, MIDDLE TOP, FORWARD,  
 NEAR DISTRIBUTOR  
 351 CID ENGINE  
 ON ENGINE, BEHIND  
 FAN BELT PULLEY  
 \* ENGINE TEMPERATURE SENDER  
 (WITH GAUGES)  
 \*\* ENGINE TEMPERATURE SWITCH  
 (WITHOUT GAUGES)


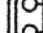
C-303  
 \* 14401  
 16 R-LG   16 R-LG  
 16 R-LG   16 R-LG  
 BEHIND TACHOMETER IN CLUSTER  
 \* TACHOMETER

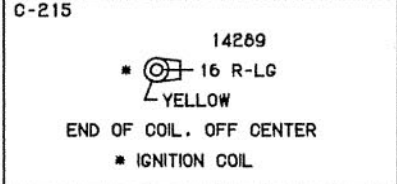
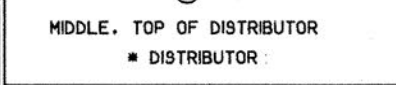
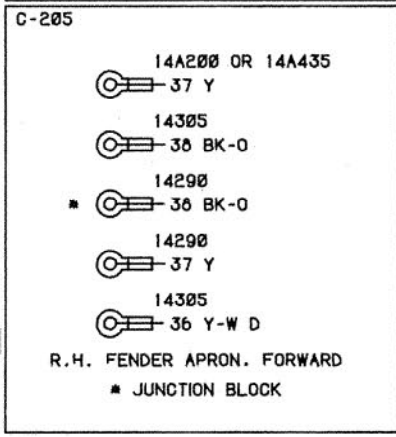
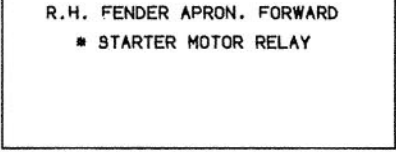
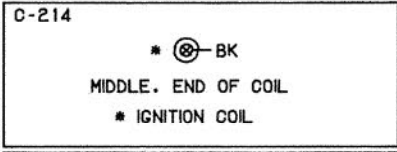
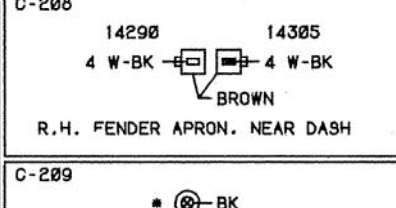
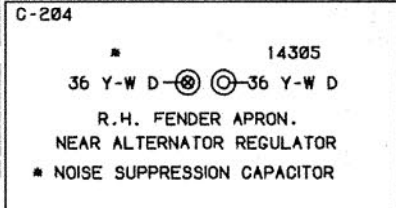
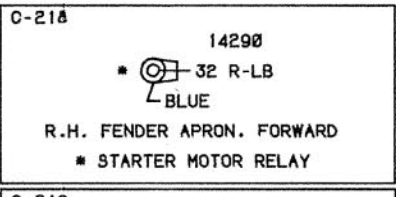
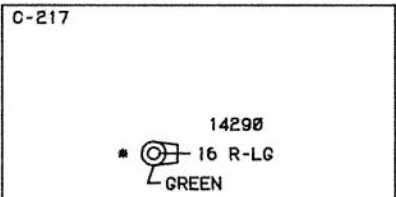
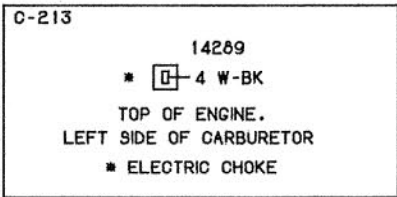
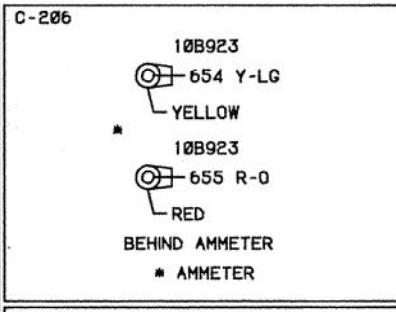
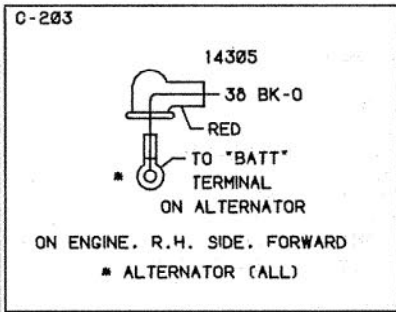
C-304  
 10B923  
 31 W-R  
 \* 10B923  
 60 BK-LG D  
 60 BK-LG D  
 BEHIND OIL PRESSURE GAUGE  
 \* OIL PRESSURE GAUGE

C-305  
 14289  
 \*  31 W-R  
 250 CID ENGINE:  
 L.H. SIDE OF ENGINE  
 NEAR BELL HOUSING  
 302 CID ENGINE  
 FORWARD L.H. SIDE OF ENGINE  
 REARWARD OF FUEL PUMP  
 351 CID ENGINE  
 CENTER, REAR, TOP OF ENGINE  
 \* OIL PRESSURE SENDER  
 (WITH GAUGES)  
 \*\* OIL PRESSURE SWITCH  
 (WITHOUT GAUGES)

C-307  
 14401 (WITH GAUGES)  
 19 LB-R  
 57 BK  
 2 W-LB 640 R-Y H  
 640 R-Y H 977 P-W  
 3 LG-W 60 BK-LG D  
 12 LG-BK 48  
 297 BK-LG H 29 Y-W

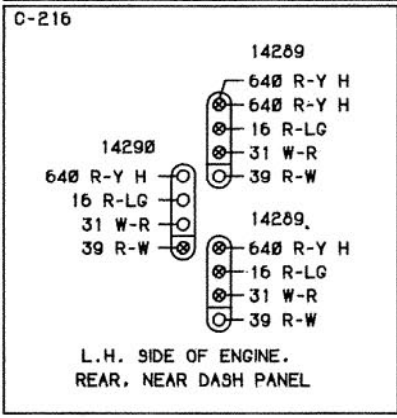
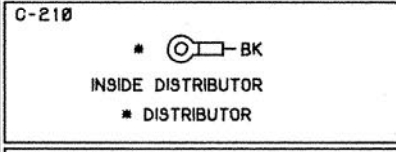
\* 14401 (WITHOUT GAUGES)  
 29 Y-W 19 LB-R  
 12 LG-BK  
 2 W-LB  
 3 LG-W  
 48 57 BK  
 297 BK-LG H 640 R-Y H  
 640 R-Y H 39 R-W  
 39 R-W 977 P-W  
 54 LG-Y 54 LG-Y  
 31 W-R  
 BEHIND INSTRUMENT CLUSTER  
 \* PRINTED CIRCUIT BOARD

C-308  
 14290  
 \*  977 P-W  
 977 P-W  
 L.H. REAR CORNER OF ENGINE  
 COMPARTMENT ON BRAKE SWITCH  
 \* DUAL BRAKE WARNING SWITCH



GROUND CODES

G-201 ATTACHED TO R.H. FRONT OF ENGINE



SPLICE CODES

S-201 IN 14305, NEAR ALTERNATOR  
S-202 IN 14305, NEAR ALTERNATOR  
S-203 IN 14290, NEAR L.H. FRONT MARKER LAMP  
S-204 IN 14290, NEAR STARTING MOTOR RELAY  
S-205 IN 14A200 OR 14A435 OR 15A669 NEAR GROMMET  
S-206 IN 14A200 OR 14A435 NEAR TAKEOUT TO STARTER MOTOR RELAY  
S-207 IN 14290 NEAR TAKEOUT TO FUSE PANEL  
S-301 IN 14401, NEAR FUSE PANEL  
S-302 IN 14401, NEAR FUSE PANEL

Source Document  
Ford Publication 365-163

**COURSE 0333-001**

# 1973 WIRING and VACUUM DIAGRAMS

Mark Corp  
Aug 72 365-163



**Ford Marketing Corporation**  
Ford Customer Service Division  
Service Technical Communications Department

# VACUUM SYSTEMS INDEX

|                                     | Page |                                     | Page |
|-------------------------------------|------|-------------------------------------|------|
| COMET .....                         | V-3  | METEOR                              |      |
|                                     |      | AUTOMATIC TEMPERATURE CONTROL ..... | V-6  |
|                                     |      | MANUAL AIR CONDITIONING .....       | V-7  |
|                                     |      | NON-AIR CONDITIONED .....           | V-8  |
| COUGAR .....                        | V-4  | MONTEGO .....                       | V-5  |
| FORD                                |      | MUSTANG .....                       | V-4  |
| AUTOMATIC TEMPERATURE CONTROL ..... | V-6  |                                     |      |
| MANUAL AIR CONDITIONING .....       | V-7  | PINTO .....                         | V-2  |
| NON-AIR CONDITIONED .....           | V-8  |                                     |      |
| LINCOLN CONTINENTAL .....           | V-11 | RANCHERO .....                      | V-5  |
| MARK IV .....                       | V-9  |                                     |      |
| MAVERICK .....                      | V-3  | THUNDERBIRD                         |      |
|                                     |      | AUTOMATIC TEMPERATURE CONTROL ..... | V-9  |
| MERCURY                             |      | MANUAL AIR CONDITIONING .....       | V-10 |
| AUTOMATIC TEMPERATURE CONTROL ..... | V-6  | TORINO .....                        | V-5  |
| MANUAL AIR CONDITIONING .....       | V-7  |                                     |      |
| NON-AIR CONDITIONED .....           | V-8  |                                     |      |



# HOW TO USE THE VACUUM DIAGRAMS

IF IT IS A FORD CAR LINE VACUUM SYSTEM, THE TECHNICIAN WILL FIND A PAGE FOR THE TOTAL SCHEMATIC SYSTEM AS WELL AS A LISTING FOR A SCHEMATIC AND PICTORIAL OF EACH SUBSYSTEM ON EACH SECTION INDEX PAGE. IT IS RECOMMENDED THAT THE TECHNICIAN FIRST TURN TO THE TOTAL SYSTEMS SCHEMATIC TO DETERMINE IF THERE ARE ANY BRANCH SYSTEMS OPERATING FROM THE SAME SOURCE. THIS WILL ASSIST IN LOCATING SYSTEM TROUBLES. HE WILL THEN BE ABLE TO TURN TO A PAGE TO FIND DETAILED INFORMATION ON A PARTICULAR SYSTEM. IN TRACING VACUUM SYSTEMS, IT IS RECOMMENDED THAT A CIRCUIT BE TRACED FROM ITS CONTROL UNIT TO ITS SOURCE OF VACUUM, AND THEN FROM THE CONTROL UNIT TO THE OPERATING UNIT, NOTING POINTS OF POSSIBLE MALFUNCTION AND ACCESSIBILITY.

THE VACUUM SYMBOLS AND THEIR MEANINGS ARE NOTED ON EACH DIVIDER PAGE TO PROVIDE A CLEAR UNDERSTANDING OF THE DIAGRAMS.

## VACUUM

### CIRCUIT SYMBOLS

